

ALLIED MAKER

Atelier Pendant 20"

Featuring a hand-spun brass shade perfectly fitted to a cast-glass dome, the Atelier Pendant is a contemporary take on a pendant.



Standard Materials:

Brass, Glass

Shown As:

Flat Black, Opal Glass

Standard Dimensions:

20" L x 20" W x 16.8" H

Glass Finishes:

Matte White

Metal Finishes:

Available in all  
Metal Finishes

Lead Time:

16 weeks

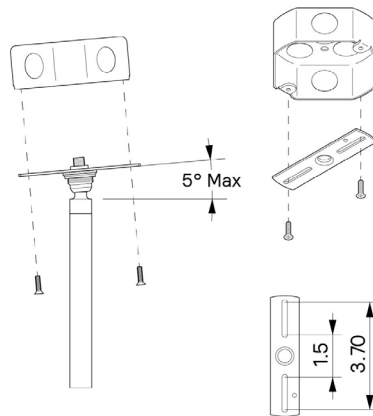
ALLIED MAKER

Atelier Pendant 20"

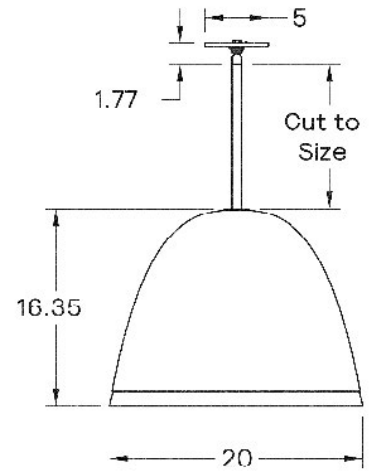
Mounting: Universal

Weight: 33.75 lbs

Mounting Drawing



Dimensional Drawing



Lamping:

G8 Bi-Pin Base. Type T  
Lamps

Lamp Quantity:

3

Bulb Included (120V USA):

Emery Allen 4.5W G8 Bulb

Brightness:

2400 Lumens

Bulb Included (240V EU):

Emery Allen 4.5W G8 240V  
Bulb

Max Wattage:

15 W

Dimming:

Universal

Certifications:

CE, Damp Locations, Outdoor and Wet  
Locations, UL and cUL Certified

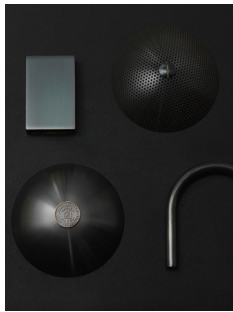


ALLIED MAKER

Materials and Finishes

METAL MATERIAL FINISHES

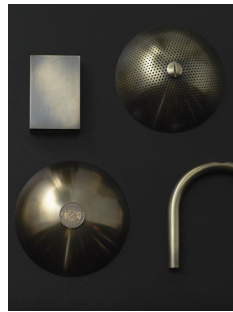
Custom materials & finish matching available.



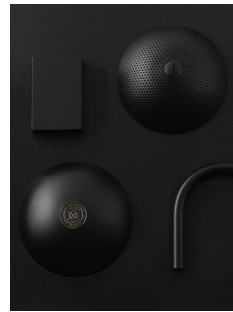
Blackened Brass



Brass



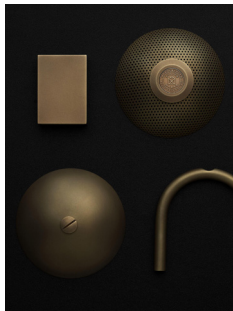
Bronze



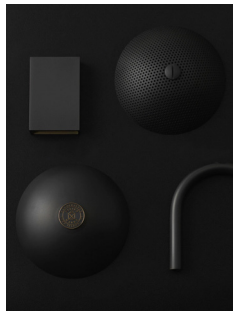
Flat Black



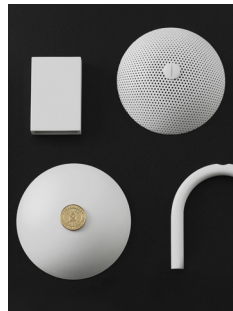
Gradient



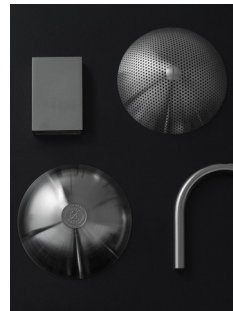
Heritage Brass



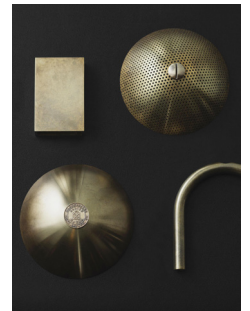
Maker Black



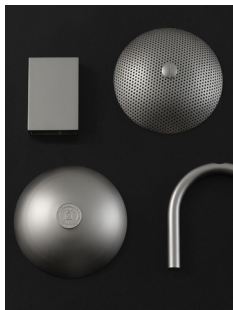
Matte White



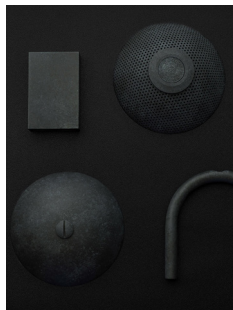
Nickel



Raw Brass



Sandblasted Grey



Slate



Verdigris

ALLIED MAKER

Materials and Finishes

GLASS MATERIAL FINISHES

Custom materials & finish matching available.



Matte White Glass



Opal Glass