

BEC BRITTAIN

Zelda - Links Medium

Zelda juxtaposes the emphatic materiality of brass-encased LED tubing with gracefully suspended planar forms. This light comes in multiple shapes, sizes and configurations, and seamlessly adapts to a vast array of spaces and sensibilities. Zelda's flexible form can be fashioned as a simple single diamond, arranged concentrically in geometric orbits, or joined together like the links of a chain.



Standard Materials:
Finished Brass

Shown As:
Brushed Brass

Standard Dimensions:
93" L x 27" W x 22" H

Special Order Finishes:

- Polished Brass
- Medium Antique Brass
- Polished Nickel
- Dark Pewter
- Polished Black Nickel
- Poloished Copper
- Smoky Copper

Metal Finishes

- Brushed Brass, Oil Rubbed
- Bronze, Satin Nickel, Nickel
- Brass Contrast

Lead Time:
14-16 weeks

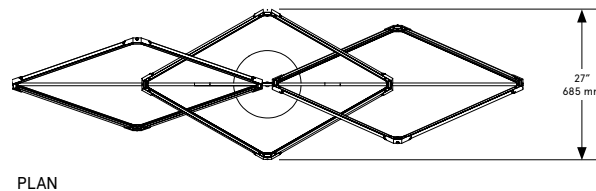
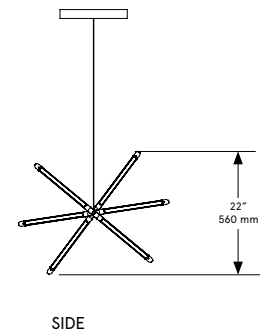
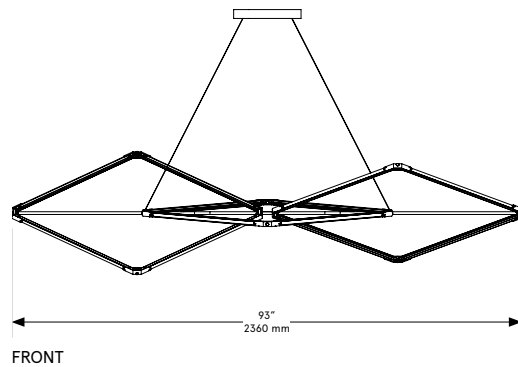
Bec Brittain

Zelda - Links Medium

Mounting: Universal

Weight :
25 lbs

Dimensional Drawing



Lamping:

LED Illumination 24 VDC
T5 LED tube CRI 90 Color
Temperature 2700 Kelvin

Brightness:

5760 Lumens

Max Wattage:

72W

Installation

Locally mounted driver
120V Dimming: C•L
(Lutron) switching 240V
Dimming: 0-10V wireless
(Lutron Pico) Canopy: 12.25
x 1.75 inch (311 x 44 mm)
round in matching metal
finish

Wiring:

24V low voltage power
through the aircraft cables.

Certifications:

CE, Damp Locations, Outdoor and Wet
Locations, UL and cUL Certified



BEC BRITTAIN

Materials and Finishes

STANDARD MATERIAL FINISHES

Custom materials & finish matching available.



Brushed Brass



Satin Nickel



Nickel Brass
Contrast



Oil Rubbed Bronze

SPECIAL FINISHES (add 10%) MATERIAL FINISHES

Custom materials & finish matching available.



Polished Brass



Polished Nickel



Polished Copper



Medium Antique
Brass



Dark Pewter



Polished Black
Nickel

BEC BRITTAIN

Materials and Finishes

SPECIAL FINISHES ADDITIONAL CHARGE MATERIAL FINISHES

Custom materials & finish matching available.



White Sandblast
Glass



Iridescent Glass



Two-Way Mirror