

BEC BRITTAIN

Unfurl Pendant Pair

Unfurl eloquently captures the organic gestures of nature. With its elegant design, Unfurl features glass diffusers resembling delicate leaves, suspended gracefully by bent brass tubes. This piece is a testament to the beauty found in simplicity and the intricate dance of the botanical world. Each leaf is able to spin on its axis, allowing for adjustment of light direction.



Standard Materials:

Finished Brass, Marble,
Glass Shades

Shown As:

Oil Rubbed Bbronz, White
Wispy Glass

Standard Dimensions:

54"W x 16" L x 36" H

Special Order Finishes:

Polished Brass
Medium Antique Brass
Polished Nickel
Dark Pewter
Polished Black Nickel
Polished Copper
Smoky Copper

Metal Finishes

Brushed Brass, Oil Rubbed
Bronze, Satin Nickel, Nickel
Brass Contrast

Lead Time:

14-16 weeks

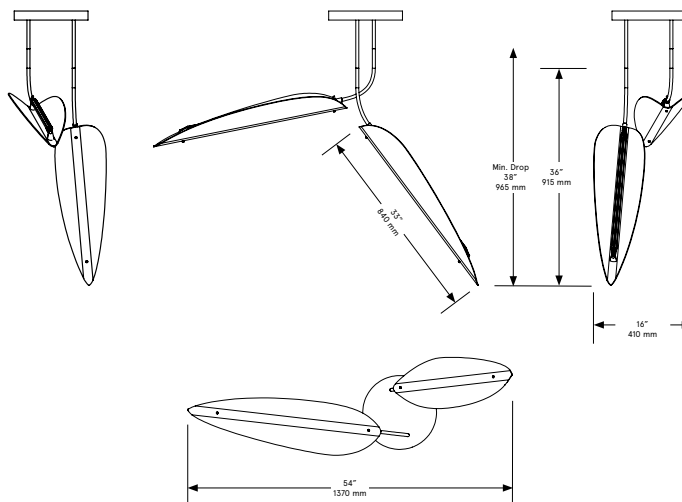
Bec Brittain

Unfurl Pendant Pair

Mounting: Universal

Weight :
10 lbs

Dimensional Drawing



Lamping:

LED Illumination 24 VDC
T5 LED tube CRI 90 Color
Temperature 2700 Kelvin

Brightness:

960 Lumens

Max Wattage:

12W

Suspension:

1/8 IP all-thread stem clad in
brass tubing with matching
metal finish up to 35 inch
/ 890 mm length included
with fixture. Length up to 95
inches / 2415 mm available
for additional cost.

Installation:

Locally mounted driver
120V Dimming: C•L
(Lutron) switching 240V
Dimming: 0-10V wireless
(Lutron Pico) Canopy: 12.25
x 1.75 inch (311 x 44 mm)
round in matching metal
finish

Certifications:

CE, Damp Locations, Outdoor and Wet
Locations, UL and cUL Certified



BEC BRITTAIN

Materials and Finishes

STANDARD MATERIAL FINISHES

Custom materials & finish matching available.



Brushed Brass



Satin Nickel



Nickel Brass
Contrast



Oil Rubbed Bronze

SPECIAL FINISHES (add 10%) MATERIAL FINISHES

Custom materials & finish matching available.



Polished Brass



Polished Nickel



Polished Copper



Medium Antique
Brass



Dark Pewter



Polished Black
Nickel

BEC BRITTAIN

Materials and Finishes

GLASS FINISHES MATERIAL FINISHES

Custom materials & finish matching available.



White Sandblast
Glass



Iridescent Glass