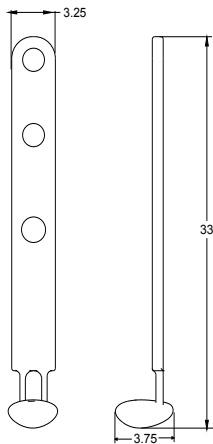


THOMAS YANG STUDIO

Wall Hook - Casa  
Busetti

Standing alone or as a set, this series of wall hooks is Yang's interpretation of the Shaker craft movement. Each one-off hook does not belong to a rigid system but rather highlights the existing architecture of a space.



Shown As:  
Cherry, River Stone

Standard Materials:  
Wood, Stone

Standard Finishes:  
Cherry, Maple, Cedar

Standard Dimensions:  
3.25" L x 3.75" W x 33" H

Lead Time:  
10-12 weeks

Thomas Yang Studio  
Materials and Finishes

STANDARD WOOD MATERIAL FINISHES  
Custom materials & finish matching available.



Cherry



Maple

STANDARD STONE FINISHES  
Custom materials & finish matching available.

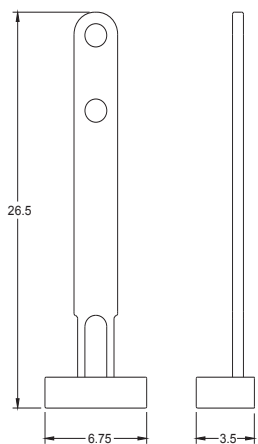


River Stone

THOMAS YANG STUDIO

Wall Hook -  
Bingtáng(RockSugar)

Standing alone or as a set, this series of wall hooks is Yang's interpretation of the Shaker craft movement. Each one-off hook does not belong to a rigid system but rather highlights the existing architecture of a space.



Shown As:  
Cherry, Kanna-Dai White  
Oak, RiverStone

Standard Materials:  
Wood, Stone

Standard Finishes:  
Cherry, Maple, Cedar

Standard Dimensions:  
6.75" L x 3.5" W x 26.5" H

Lead Time:  
10-12 weeks

Thomas Yang Studio  
Materials and Finishes

STANDARD WOOD MATERIAL FINISHES  
Custom materials & finish matching available.



Cherry



Maple

STANDARD STONE FINISHES  
Custom materials & finish matching available.

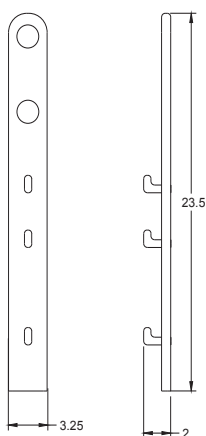


River Stone

THOMAS YANG STUDIO

Wall Hook - Power of 3

Standing alone or as a set, this series of wall hooks is Yang's interpretation of the Shaker craft movement. Each one-off hook does not belong to a rigid system but rather highlights the existing architecture of a space.



Shown As:  
Cherry

Standard Materials:  
Wood

Standard Finishes:  
Cherry, Maple, Cedar

Standard Dimensions:  
0.75" L x 3.25" W x 23.5" H

Lead Time:  
6-8 weeks

Thomas Yang Studio  
Materials and Finishes

STANDARD WOOD MATERIAL FINISHES  
Custom materials & finish matching available.



Cherry

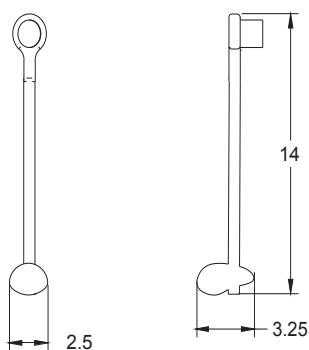


Maple

THOMAS YANG STUDIO

Wall Hook - Jinshan  
South Road

Standing alone or as a set, this series of wall hooks is Yang's interpretation of the Shaker craft movement. Each one-off hook does not belong to a rigid system but rather highlights the existing architecture of a space.



Shown As:  
Cherry, Taiwanese River  
Stone

Standard Finishes:  
Cherry, Maple, Cedar

Standard Materials:  
Wood, Stone

Standard Dimensions:  
3" L x 2.5"W x 14"H

Lead Time:  
6-8 weeks

Thomas Yang Studio  
Materials and Finishes

STANDARD WOOD MATERIAL FINISHES  
Custom materials & finish matching available.



Cherry



Maple

STANDARD STONE FINISHES  
Custom materials & finish matching available.



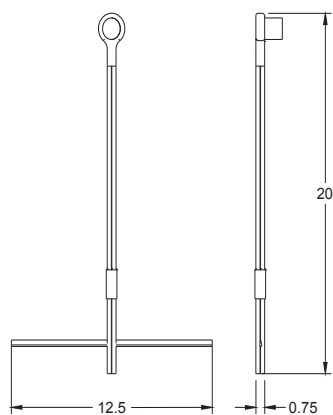
River Stone



## THOMAS YANG STUDIO

## Wall Hook - Val di Non

Standing alone or as a set, this series of wall hooks is Yang's interpretation of the Shaker craft movement. Each one-off hook does not belong to a rigid system but rather highlights the existing architecture of a space.



Shown As:  
Cherry, River Stone Knob

Standard Materials:  
Wood, Stone

Standard Finishes:  
Cherry, Maple, Cedar

Standard Dimensions:  
0.75" L x 12.5" W x 20" H

Lead Time:  
6-8 weeks

Thomas Yang Studio  
Materials and Finishes

STANDARD WOOD MATERIAL FINISHES  
Custom materials & finish matching available.



Cherry



Maple

STANDARD STONE FINISHES  
Custom materials & finish matching available.

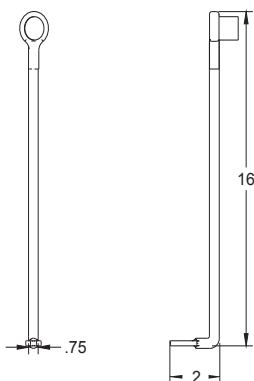


River Stone

THOMAS YANG STUDIO

Wall Hook - No.15 3rd Floor

Standing alone or as a set, this series of wall hooks is Yang's interpretation of the Shaker craft movement. Each one-off hook does not belong to a rigid system but rather highlights the existing architecture of a space.



Shown As:  
Cherry, Sterling Silver,  
Mohair and Silk Ribbon,  
Palm Bristle Brush

Standard Finishes:  
Cherry, Maple, Cedar

Standard Materials:  
Wood, Sterling Silver

Standard Dimensions:  
2" L x 0.75"W x 16"H

Lead Time:  
6-8 weeks

Thomas Yang Studio  
Materials and Finishes

STANDARD WOOD MATERIAL FINISHES  
Custom materials & finish matching available.



Cherry



Maple

STANDARD STONE FINISHES  
Custom materials & finish matching available.

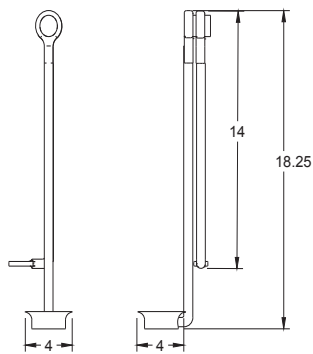


River Stone

THOMAS YANG STUDIO

Wall Hook - 514

Standing alone or as a set, this series of wall hooks is Yang's interpretation of the Shaker craft movement. Each one-off hook does not belong to a rigid system but rather highlights the existing architecture of a space.



Shown As:  
Cherry, Sterling Silver

Standard Finishes:  
Cherry, Maple, Cedar

Standard Materials:  
Wood, Sterling Silver

Standard Dimensions:  
4" L x 4" W x 18.25" H

Lead Time:  
12-14 weeks

Thomas Yang Studio  
Materials and Finishes

STANDARD WOOD MATERIAL FINISHES  
Custom materials & finish matching available.



Cherry



Maple