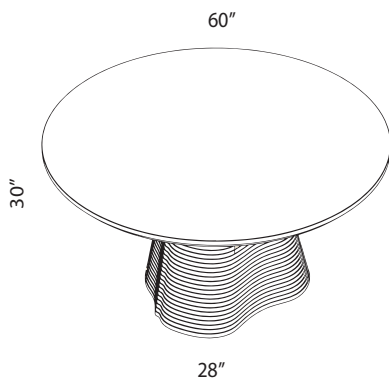


SSS ATELIER

Movement Dining
Table

The Movement Dining Table pays homage to the ripples of sand on the designer's native Michigan shoreline, boasting an impressive 37 tiered layers of wood in its base as well as a reverse chamfer edge.



Standard Materials:
Wood, Stone

Shown As:
Ebonized Oak and Crema
stone

Standard Stone Finishes:
Rossa, Verde, Crema, Viola

Standard Finishes:
White Oak, Walnut,
Ebonized Oak

Standard Dimensions:
60" Dia x 30"H
Base Foot: 28" Dia

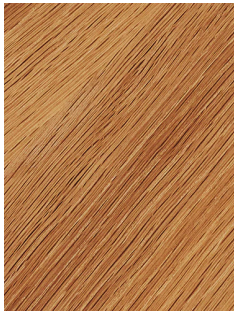
Lead Time:
8-10 weeks

SSS Atelier

Materials and Finishes

STANDARD WOOD MATERIAL FINISHES

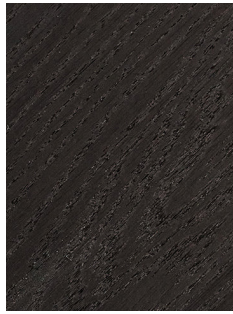
Custom materials & finish matching available.



White Oak



Walnut



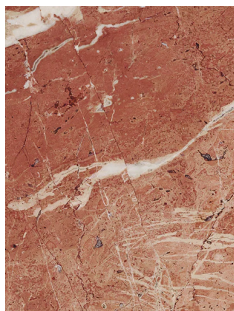
Ebonized Oak

STANDARD STONE MATERIAL FINISHES

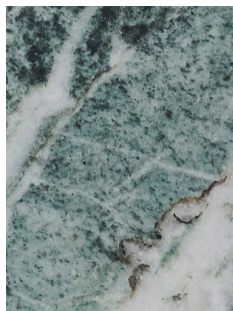
Custom materials & finish matching available.



Crema



Rossa



Verde



Viola