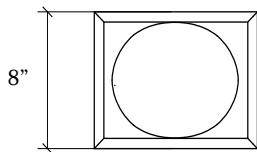
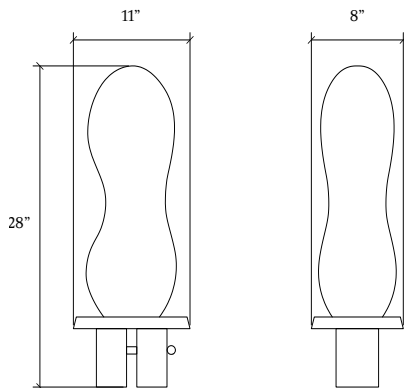


KAWABI

Legume Lamp

A playful illumination inspired by the organic curves found in leguminous seed pods. The form rests vertically on a tray, setting a daily food offering on display in a gesture of presentation and ritual.



Standard Materials:

Wood, Brass, Kozo Paper, and Rattan

As Shown:

White Oak, Unlacquered Brass, Kozo Paper, and Rattan

Standard Finishes:

White Oak, Cherry, Walnut, Maple

Standard Brass Finishes:

Unlacquered, Lacquered, Blackened Brass

Standard Dimensions:

11" L x 8" W x 28" H

Lead Time:

4 - 8 weeks

Kawabi  
Legume Lamp

Weight: 4.8 lbs

Lamping:  
E12 LED, 4W

Lamp Quantity:  
2

Installation - Standard  
Plug-in, US Outlet, 12ft Cord

Brightness:  
320 Lumens  
CCT  
2700k (warm white)

Indoor/Outdoor  
Indoor Only

Dimming  
3- way touch dimmer

STANDARD BRASS FINISHES

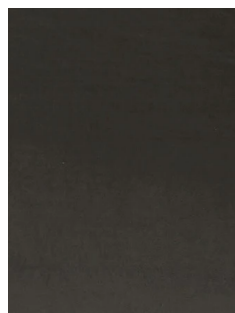
Custom materials & finish matching available.



Unlaquered Brass



Laquered Brass



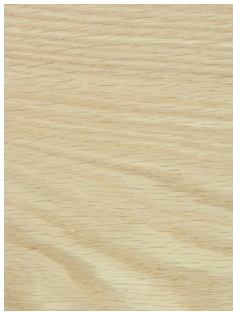
Blackened Brass

## Kawabi

### Materials and Finishes

#### STANDARD WOOD MATERIAL FINISHES

Custom materials & finish matching available.



Oak



American Cherry



Walnut



Maple

#### STANDARD LANTERN FINISHES

Custom materials & finish matching available.



Kozo Paper