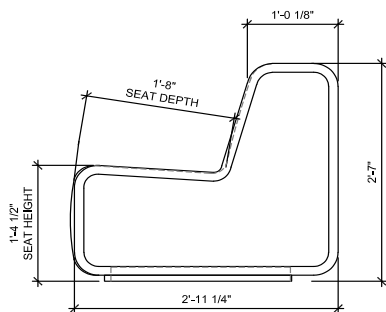
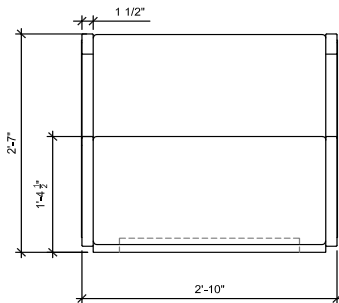


EMBER STUDIO
Trio Swivel Chair

An upholstered swivel chair featuring three distinct surfaces—the seat, frame, and side panel, allowing for three different fabric selections on a single chair.



Standard Materials:
Fabric

Shown As:
COM

COM Requirements:
54" Standard Width:
Sample Required

Standard Dimensions:
34" W x 36" D x 31" H
16.5 SH

Frame : 2.5 Yards
Side Panel : 2.5 Yards
Seat & Back : 4 Yards

Lead Time:
8-10 weeks