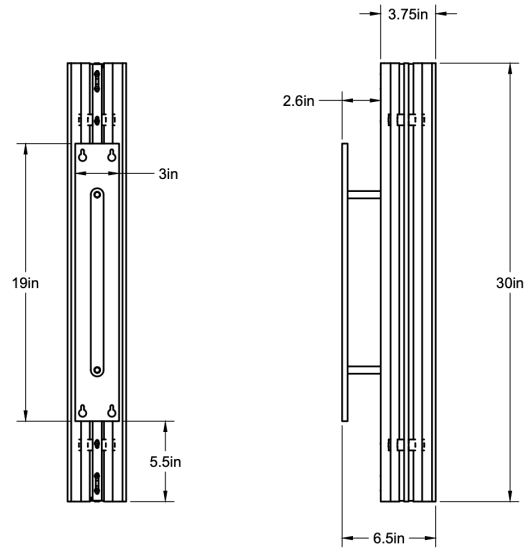


CO/ONY



ALLIED MAKER Beacon 30 Sconce

Standard Materials:

Brass and Wood

Dimensions: 6.5"L x 3.75"W x 30"H

Lead Time: 12-14 weeks

Weight: 13.75 lbs

Metal Finishes:

Available in all standard metal finishes

Wood Finishes:

Available in all standard wood finishes

Brightness: 780 Lumens

Lamping:

GU-10 Bi-Pin Base
Type MR16 Lamps

Bulb Included (120V USA):

Soraa 7.5W GU10 10 Degree Bulb

Bulb Included (240V EU):

Soraa 7.5W GU10 10 Degree 240V Bulb

Mounting:

Single Gang J-Box only

Dimming: Universal

*Please inquire for detailed electrical specs.
cUL Damp Locations certified.*

CO/ONY

Allied Maker

Materials & Finishes

Custom materials & finish matching available

STANDARD METAL FINISHES



Blackened Brass



Brass



Maker Black



Raw Brass



Gradient



Bronze



Verdegris



Stonewashed



Nickel



Sandblasted Grey

CO/ONY

Allied Maker

Materials & Finishes

Custom materials & finish matching available

STANDARD METAL FINISHES



Flat Black



Red Sand



Porcelain White



Matte White

CO/ONY

Allied Maker

Materials & Finishes

Custom materials & finish matching available

STANDARD WOOD FINISHES



Oxidized Walnut



Black Walnut



Bleached Walnut



White Oak



American Ash



Bleached Oak



Bleached Ash



Silver Oak



Oxidized Oak



Flame Blackened Oak



Blackened Ash