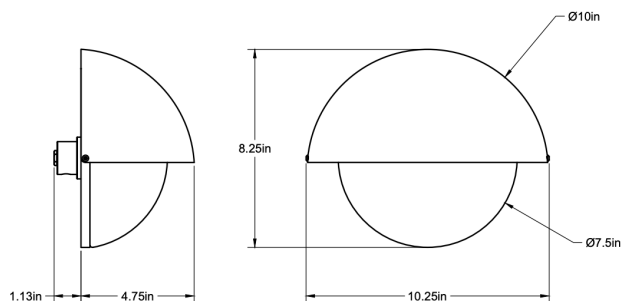


CO/ONY



ALLIED MAKER

Axis Sconce

Standard Materials:

Brass and Glass

Dimensions: 4.75”L x 10.25”W x 8.25”H

Lead Time: 12-14 weeks

Weight: 10 lbs

Metal Finishes:

Available in all standard metal finishes

Glass Finishes:

Opal and Matte White

Brightness: 545 Lumens

Bulb Included (120V USA):

Emery Allen 5W G8 Bulb

Bulb Included (240V EU):

Emery Allen 5W G8 240V Bulb

Lamping:

G8 Bi-Pin Base

Type T Lamps

Mounting:

4” J-Box only, minimum 1.25” depth

Dimming: LED+

*Please inquire for detailed electrical specs.
cUL Damp Locations certified.*

CO/ONY

Allied Maker

Materials & Finishes

Custom materials & finish matching available

STANDARD METAL FINISHES



Blackened Brass



Brass



Maker Black



Raw Brass



Gradient



Bronze



Verdegris



Stonewashed



Nickel



Sandblasted Grey

CO/ONY

Allied Maker

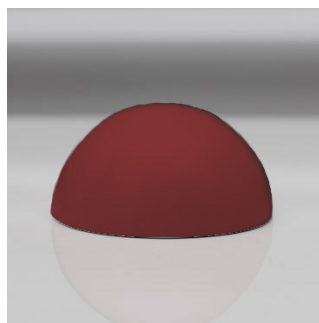
Materials & Finishes

Custom materials & finish matching available

STANDARD METAL FINISHES



Flat Black



Red Sand



Porcelain White



Matte White

STANDARD GLASS FINISHES



Matte-White Glass



Opal Glass