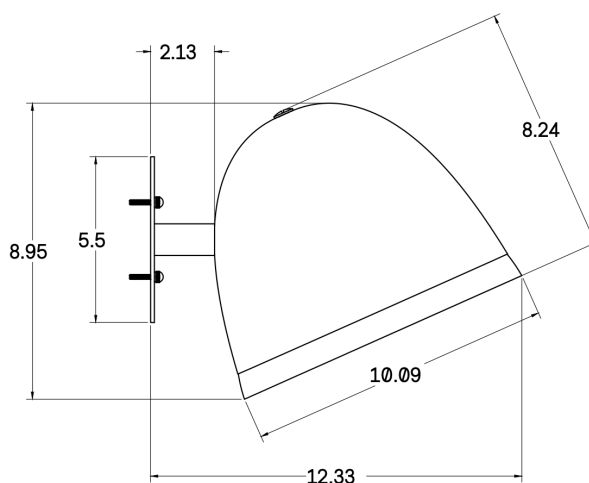


# CO/ONY



## ALLIED MAKER Atelier Sconce 10

### Standard Materials:

Brass and Glass

**Dimensions:** 12.25"L x 10"W x 9"H

**Lead Time:** 12-14 weeks

**Weight:** 8.75 lbs

### Metal Finishes:

Available in all standard metal finishes

### Glass Finishes:

Opal and Matte White

**Brightness:** 1800 Lumens

### Bulb Included (120V USA):

Emery Allen 4.5W G8 Bulb

### Bulb Included (240V EU):

Emery Allen 4.5W G8 240V Bulb

### Lamping:

G8 Bi-Pin Base

Type T Lamps

### Mounting:

Fits all standard junction boxes

### Dimming:

LED+

*Please inquire for detailed electrical specs.  
cUL Damp Locations certified.*

# CO/ONY

Allied Maker

Materials & Finishes

Custom materials & finish matching available

## STANDARD METAL FINISHES



Blackened Brass



Brass



Maker Black



Raw Brass



Gradient



Bronze



Verdegris



Stonewashed



Nickel



Sandblasted Grey

# CO/ONY

## Allied Maker

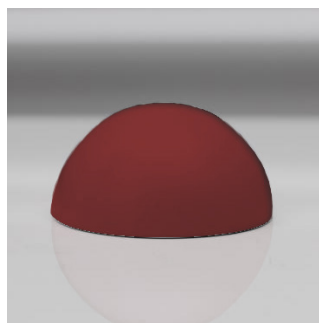
### Materials & Finishes

Custom materials & finish matching available

#### STANDARD METAL FINISHES



Flat Black



Red Sand



Porcelain White



Matte White

#### STANDARD GLASS FINISHES



Matte-White Glass



Opal Glass