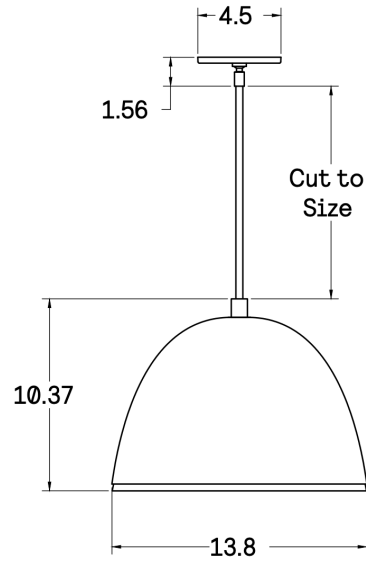


# CO/ONY



## ALLIED MAKER Atelier Pendant 14

### Standard Materials:

Brass and Glass

**Dimensions:** 13.75”L x 13.75”W x 10.25”H

**Lead Time:** 12-14 weeks

**Weight:** 13.25 lbs

### Metal Finishes:

Available in all standard metal finishes

### Glass Finishes:

Opal and Matte White

**Brightness:** 1800 Lumens

### Bulb Included (120V USA):

Emery Allen 4.5W G8 Bulb

### Bulb Included (240V EU):

Emery Allen 4.5W G8 240V Bulb

### Lamping:

G8 Bi-Pin Base

Type T Lamps

### Mounting:

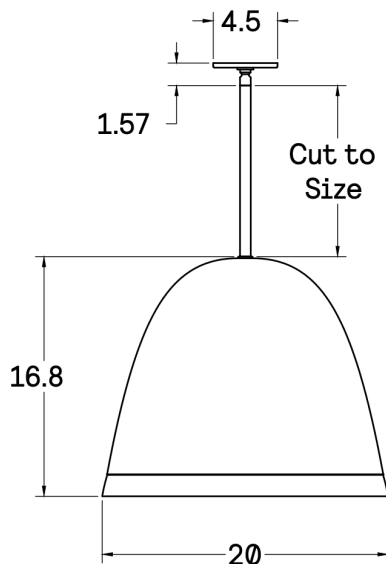
Fits all standard junction boxes

### Dimming:

Universal

*Please inquire for detailed electrical specs.  
cUL Damp Locations certified.*

# CO/ONY



## ALLIED MAKER Atelier Pendant 20

### Standard Materials:

Brass and Glass

**Dimensions:** 20"L x 20"W x 16.8"H

**Lead Time:** 12-14 weeks

**Weight:** 33.75 lbs

### Metal Finishes:

Available in all standard metal finishes

### Glass Finishes:

Opal and Matte White

**Brightness:** 2445 Lumens

### Bulb Included (120V USA):

Cree 60W Bulb

### Bulb Included (240V EU):

Soraa 11W 240V Bulb

### Lamping:

E26 or E27 Screw Base

Type A Lamps

### Mounting:

Fits all standard junction boxes

### Dimming:

Universal

*Please inquire for detailed electrical specs.  
cUL Damp Locations certified.*

# CO/ONY

Allied Maker

Materials & Finishes

Custom materials & finish matching available

## STANDARD METAL FINISHES



Blackened Brass



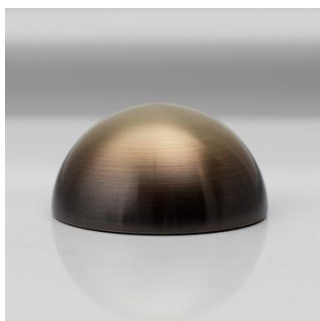
Brass



Maker Black



Raw Brass



Gradient



Bronze



Verdegris



Stonewashed



Nickel



Sandblasted Grey

# CO/ONY

## Allied Maker

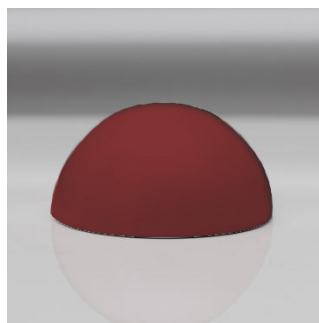
### Materials & Finishes

Custom materials & finish matching available

#### STANDARD METAL FINISHES



Flat Black



Red Sand



Porcelain White



Matte White

#### STANDARD GLASS FINISHES



Matte-White Glass



Opal Glass