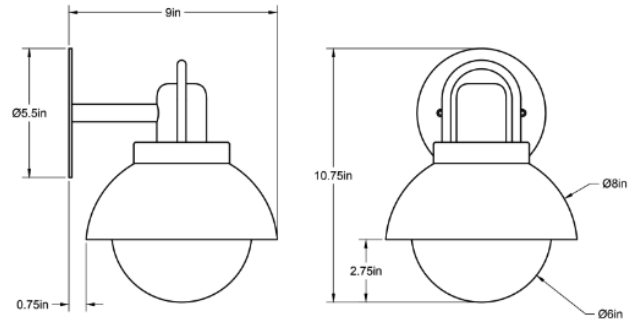


CO/ONY



ALLIED MAKER 1 Arc Vanity Sconce

Standard Materials:

Brass, Glass and Wood

Dimensions: 9”L x 8”W x 11”H

Lead Time: Please inquire

Weight: 7.5 lbs

Metal Finishes:

Available in all standard metal finishes

Glass Finishes:

Opal, Matte White, Clear, Frosted and Smoked

Wood Finishes:

Available in all standard wood finishes

Brightness: 815 Lumens

Lamping:

E27 or E27 Screw Base

Type A Lamps

Bulb Included (120v USA):

Cree 60W Bulb

Bulb Included (240v EU):

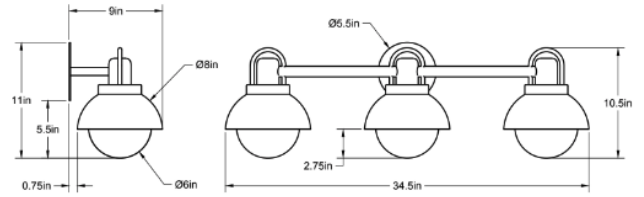
Phillips 4.3W Globe 240V Bulb

Mounting: Universal

Dimming: Universal

*Please inquire for detailed electrical specs.
cUL Damp Locations certified.*

CO/ONY



ALLIED MAKER 3 Arc Vanity Sconce

Standard Materials:

Brass, Glass and Wood

Dimensions: 9"L x 34.5"W x 11"H

Lead Time: Please inquire

Weight: 22 lbs

Metal Finishes:

Available in all standard metal finishes

Glass Finishes:

Opal, Matte White, Clear, Frosted and Smoked

Wood Finishes:

Available in all standard wood finishes

Brightness: 2445 Lumens

Lamping:

E27 or E27 Screw Base

Type A Lamps

Bulb Included (120v USA):

Cree 60W Bulb

Bulb Included (240v EU):

Phillips 4.3W Globe 240V Bulb

Mounting: Universal

Dimming: Universal

*Please inquire for detailed electrical specs.
cUL Damp Locations certified.*

CO/ONY

Allied Maker

Materials & Finishes

Custom materials & finish matching available

STANDARD METAL FINISHES



Blackened Brass



Brass



Maker Black



Raw Brass



Gradient



Bronze



Verdegris



Stonewashed



Nickel



Sandblasted Grey

CO/ONY

Allied Maker

Materials & Finishes

Custom materials & finish matching available

STANDARD METAL FINISHES



Flat Black



Red Sand



Porcelain White



Matte White

CO/ONY

Allied Maker

Materials & Finishes

Custom materials & finish matching available

STANDARD WOOD FINISHES



Oxidized Walnut



Black Walnut



Bleached Walnut



White Oak



American Ash



Bleached Oak



Bleached Ash



Silver Oak



Oxidized Oak



Flame Blackened Oak



Blackened Ash

CO/ONY

Allied Maker

Materials & Finishes

Custom materials & finish matching available

STANDARD GLASS FINISHES



Clear Glass



Frosted Glass



Matte-White Glass



Opal Glass



Smoked Glass