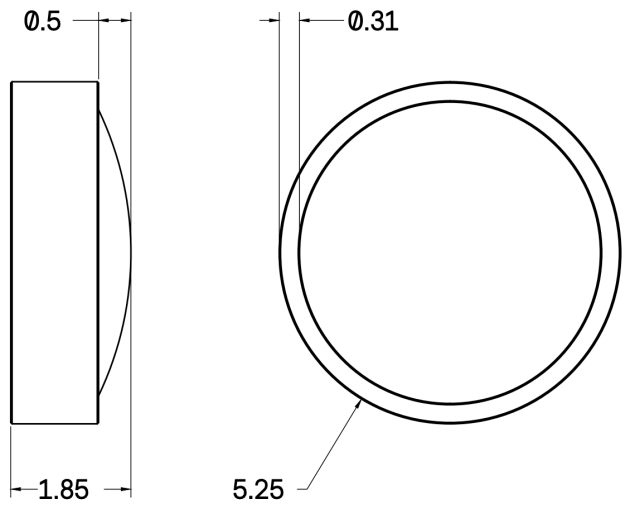


CO/ONY



ALLIED MAKER Apulia 5 Flush Mount

Standard Materials:

Brass, Glass, Aluminum and Paper

Dimensions: 1.75”L x 5.25”W x 5.25”H

Lead Time: 12-14 weeks

Weight: 3 lbs

Metal Finishes:

Available in all standard metal finishes

Brightness:

800 Lumens

Lamping: Integrated AC LED Module

Mounting: Universal

Dimming: LED+

*Please inquire for detailed electrical specs.
cUL Damp Locations certified.*

CO/ONY

Allied Maker

Materials & Finishes

Custom materials & finish matching available

STANDARD METAL FINISHES



Blackened Brass



Brass



Maker Black



Raw Brass



Gradient



Bronze



Verdegris



Stonewashed



Nickel



Sandblasted Grey

CO/ONY

Allied Maker

Materials & Finishes

Custom materials & finish matching available

STANDARD METAL FINISHES



Flat Black



Red Sand



Porcelain White



Matte White