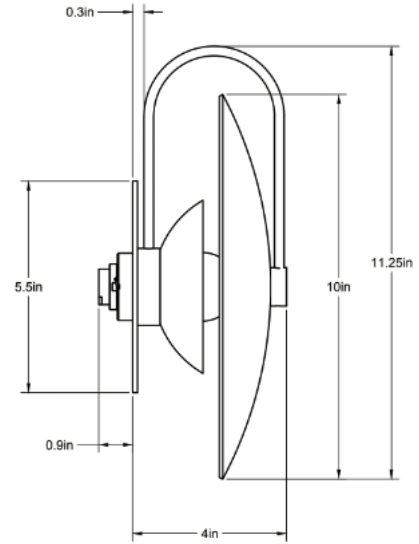


# CO/ONY



## ALLIED MAKER ADA Aperture Sconce 10

### Standard Materials:

Brass and Glass

**Dimensions:** 4"L x 10"W x 11.25"H

**Lead Time:** Please inquire

**Weight:** 3 lbs

### Metal Finishes:

Available in all standard metal finishes

### Glass Finishes:

Opal and Skytek

**Brightness:** 275 Lumens

### Lamping:

E12 or E14 Screw Base  
Type G50 Lamps

### Bulb Included (120v USA):

Tala 5W Globe Bulb

### Bulb Included (120v USA):

Tala 5W Globe 240V Bulb

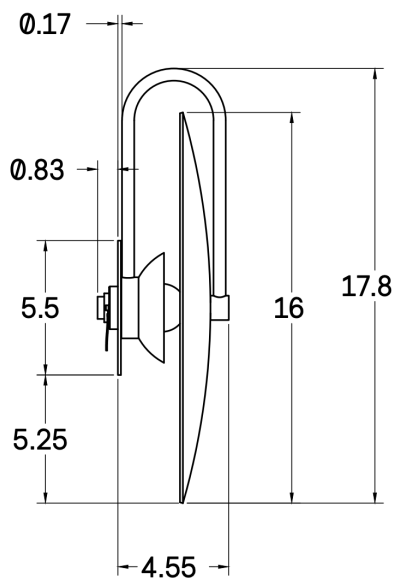
### Mounting:

4" J-Box only  
Minimum 1.25" depth

**Dimming:** LED+

*Please inquire for detailed electrical specs.  
cUL Damp Locations certified.*

# CO/ONY



## ALLIED MAKER ADA Aperture Sconce 16

### Standard Materials:

Brass and Glass

**Dimensions:** 4.5"L x 16"W x 17.75"H

**Lead Time:** Please inquire

**Weight:** 5.25 lbs

### Metal Finishes:

Available in all standard metal finishes

### Glass Finishes:

Opal, Smoked and Skytek

**Brightness:** 275 Lumens

### Lamping:

E12 or E14 Screw Base  
Type G50 Lamps

### Bulb Included (120v USA):

Tala 5W Globe Bulb

### Bulb Included (120v USA):

Tala 5W Globe 240V Bulb

### Mounting:

4" J-Box only  
Minimum 1.25" depth

**Dimming:** LED+

*Please inquire for detailed electrical specs.  
cUL Damp Locations certified.*

# CO/ONY

Allied Maker

Materials & Finishes

Custom materials & finish matching available

## STANDARD METAL FINISHES



Blackened Brass



Brass



Maker Black



Raw Brass



Gradient



Bronze



Verdegris



Stonewashed



Nickel



Sandblasted Grey

# CO/ONY

## Allied Maker

### Materials & Finishes

Custom materials & finish matching available

#### STANDARD METAL FINISHES



Flat Black



Red Sand



Porcelain White



Matte White

# CO/ONY

Allied Maker

Materials & Finishes

Custom materials & finish matching available

## STANDARD GLASS FINISHES



Opal Glass



Smoked Glass



Skytek