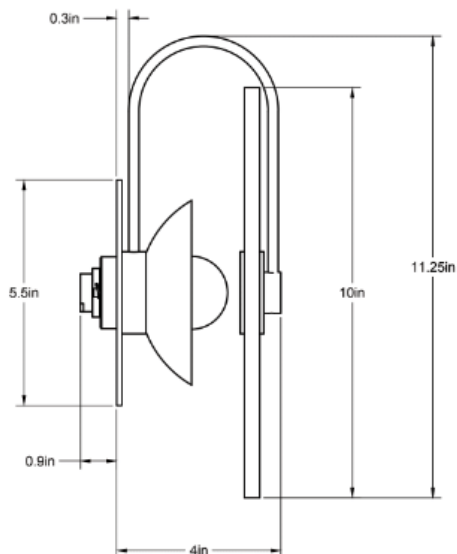
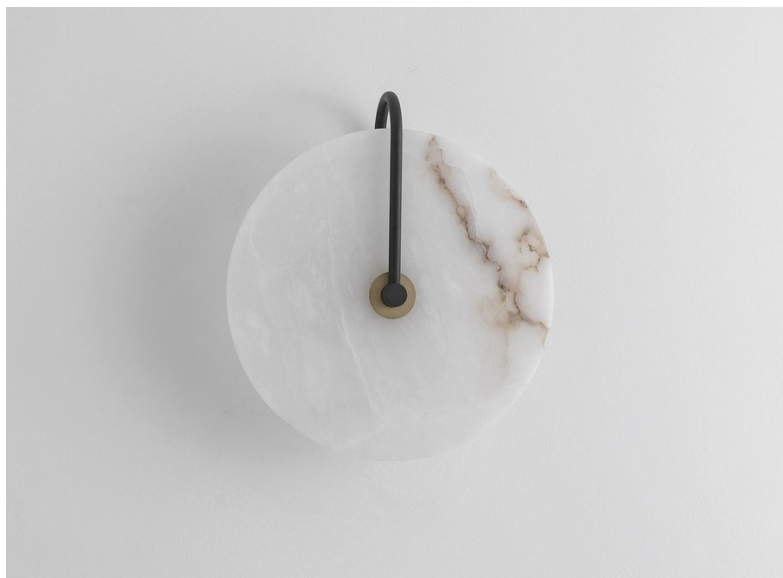


# CO/ONY



## ALLIED MAKER ADA Alabaster Sconce 10"

### Standard Materials:

Brass and Alabaster

**Dimensions:** 4"L x 10"W x 11.25"H

**Lead Time:** Please inquire

**Weight:** 5.5 lbs

### Metal Finishes:

Available in all standard metal finishes

**Brightness:** 275 Lumens

### Lamping:

E12 or E14 Screw Base  
Type G50 Lamps

### Bulb Included (120v USA):

Tala 5W Globe Bulb

### Bulb Included (240v EU):

Tala 5W Globe 240V Bulb

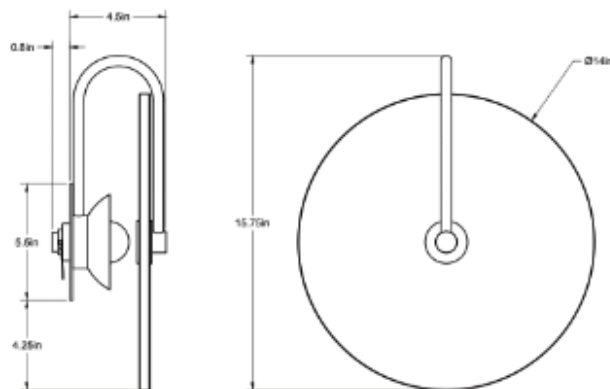
**Dimming:** LED+

### Mounting:

4" J-Box only  
Minimum 1.25" depth

*Please inquire for detailed electrical specs.  
cUL Damp Locations certified.*

# CO/ONY



## ALLIED MAKER ADA Alabaster Sconce 14"

### Standard Materials:

Brass and Alabaster

**Dimensions:** 4.5"L x 14"W x 15.75"H

**Lead Time:** Please inquire

**Weight:** 10.75 lbs

### Metal Finishes:

Available in all standard metal finishes

**Brightness:** 275 Lumens

### Lamping:

E12 or E14 Screw Base  
Type G50 Lamps

### Bulb Included (120v USA):

Tala 5W Globe Bulb

### Bulb Included (240v EU):

Tala 5W Globe 240V Bulb

### Mounting:

4" J-Box only  
Minimum 1.25" depth

### Dimming:

 LED+

*Please inquire for detailed electrical specs.  
cUL Damp Locations certified.*

# CO/ONY

Allied Maker

Materials & Finishes

Custom materials & finish matching available

## STANDARD METAL FINISHES



Blackened Brass



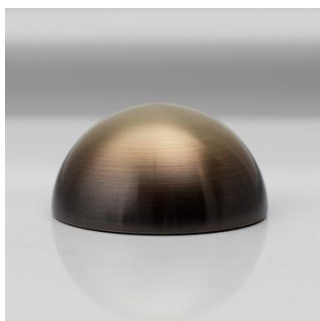
Brass



Maker Black



Raw Brass



Gradient



Bronze



Verdegris



Stonewashed



Nickel



Sandblasted Grey

# CO/ONY

## Allied Maker

### Materials & Finishes

Custom materials & finish matching available

#### STANDARD METAL FINISHES



Flat Black



Red Sand



Porcelain White



Matte White