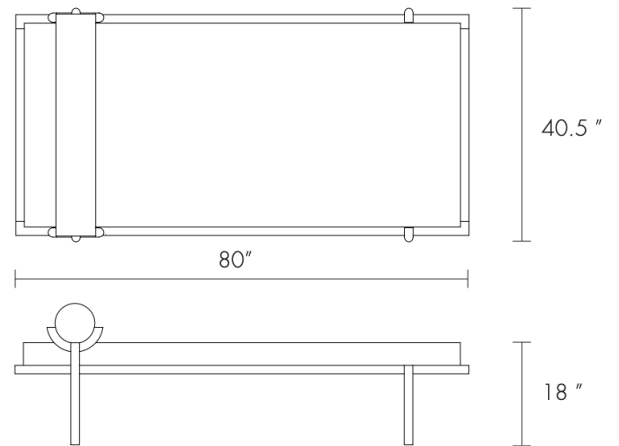


# CO/ONY



## VONNEGUT/KRAFT Ash Crescent Lounge

### **Standard Materials:**

Bleached Ash, Wool Upholstery

**Dimensions:** 80"L x 40.5"W x 18"H

**Lead Time:** 10-12 weeks

### **Wood Finishes:**

Natural Soap or Clear Matte Lacquer

### **Fabric:**

Wool Upholstery in Multiple Color Options,  
COM available

# CO/ONY

## Vonnegut/Kraft

### Materials & Finishes

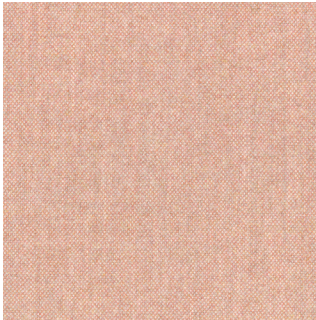
Custom materials & finish matching available

#### STANDARD WOOD FINISHES

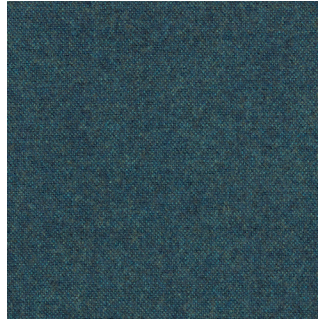


Bleached Ash

#### STANDARD FABRIC



Maharam, Wool Canvas



Maharam, Wool Canvas