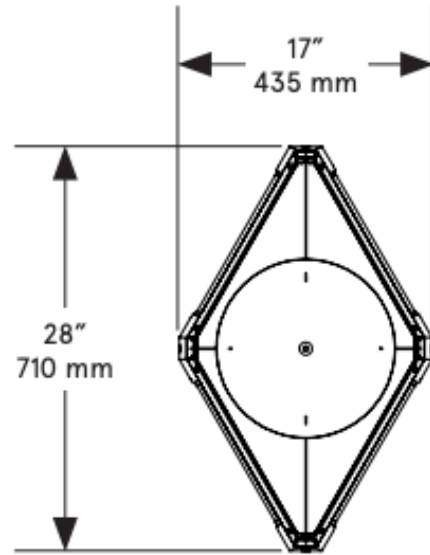


CO/ONY



BEC BRITAIN Zelda Small

Standard Materials: Brass

Diffusers available at additional cost

Dimensions: 28"L x 17"W x 1"H

Lead Time: 14-16 weeks

Weight: 7lb

LED Illumination:

24 VDC T5 LED tube

2700 Kelvin

90 CRI

Electrical:

12 Watt

960 Lumens

Input Voltage:

110-240 VAC

277 VAC upon request

Installation:

Locally Mounted Driver

120V C-L switching dimming (Lutron)

240V 0-10V wireless dimming (Lutron Pico)

Canopy 12.25"Ø x 1.75"D, matching finish

Wiring:

Direct 120 / 240 VAC line voltage connection.

Requires an electronic low-voltage dimmer switch.

Suspension:

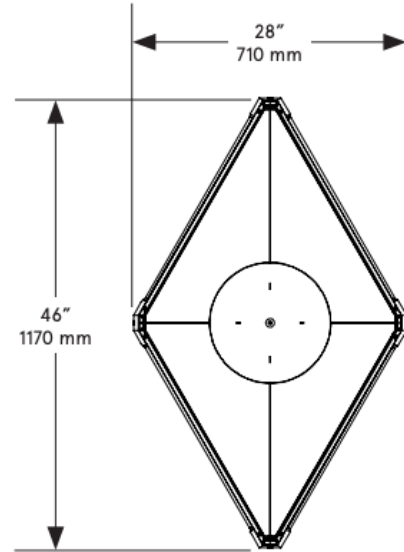
Aircraft cable with adjustable fasteners in the canopy.

Variable suspension height.

Please inquire for detailed electrical specs.

ETL listed to UL, CE and CSA standards, suitable for damp locations.

CO/ONY



BEC BRITTAIN Zelda Medium

Standard Materials: Brass

Diffusers available at additional cost

Dimensions: 46”L x 28”W x 1”H

Lead Time: 14-16 weeks

Weight: 8.5lb

LED Illumination:

24 VDC T5 LED tube

2700 Kelvin

90 CRI

Electrical:

24 Watt

1920 Lumens

Input Voltage:

110-240 VAC

277 VAC upon request

Installation:

Locally Mounted Driver

120V C-L switching dimming (Lutron)

240V 0-10V wireless dimming (Lutron Pico)

Canopy 12.25” \varnothing x 1.75”D, matching finish

Wiring:

Direct 120 / 240 VAC line voltage connection.

Requires an electronic low-voltage dimmer switch.

Suspension:

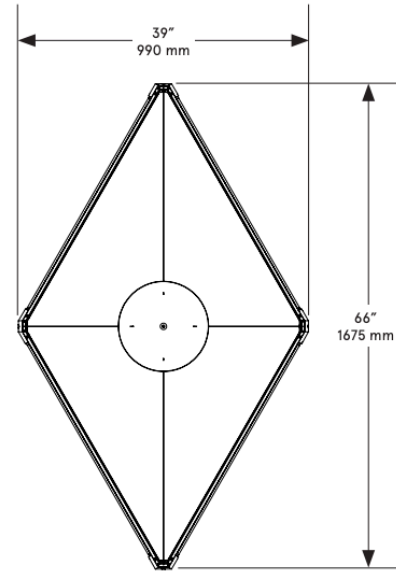
Aircraft cable with adjustable fasteners in the canopy.

Variable suspension height.

Please inquire for detailed electrical specs.

ETL listed to UL, CE and CSA standards, suitable for damp locations.

CO/ONY



BEC BRITTAIN Zelda Large

Standard Materials: Brass

Diffusers available at additional cost

Dimensions: 66”L x 39”W x 1”H

Lead Time: 14-16 weeks

Weight: 10.5lb

LED Illumination:

24 VDC T5 LED tube

2700 Kelvin

90 CRI

Electrical:

36 Watt

2880 Lumens

Input Voltage:

110-240 VAC

277 VAC upon request

Installation:

Locally Mounted Driver

120V C-L switching dimming (Lutron)

240V 0-10V wireless dimming (Lutron Pico)

Canopy 12.25” \varnothing x 1.75”D, matching finish

Wiring:

Direct 120 / 240 VAC line voltage connection.

Requires an electronic low-voltage dimmer switch.

Suspension:

Aircraft cable with adjustable fasteners in the canopy.

Variable suspension height.

Please inquire for detailed electrical specs.

ETL listed to UL, CE and CSA standards, suitable for damp locations.

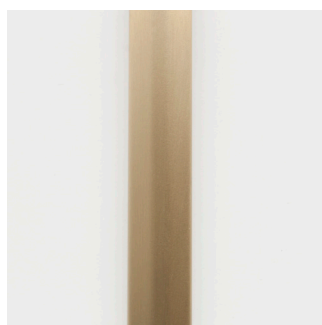
CO/ONY

Bec Brittain

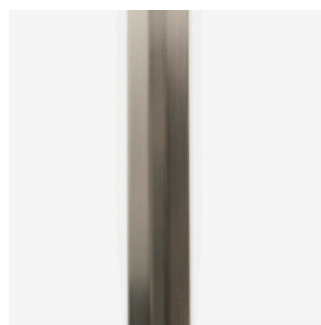
Materials & Finishes

Custom materials & finish matching available

STANDARD METAL FINISHES*



Brushed Brass



Satin Nickel

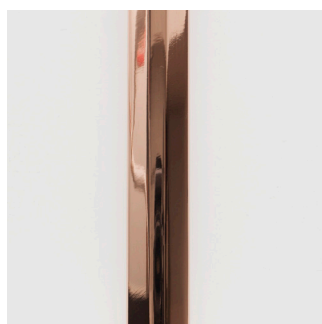


Oil Rubbed Bronze



Nickel Brass Contrast

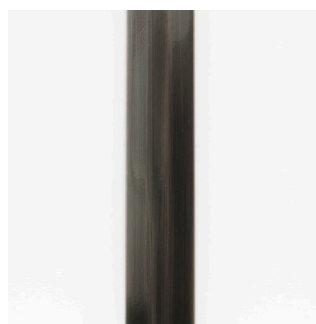
SPECIAL FINISHES - 10% UPCHARGE



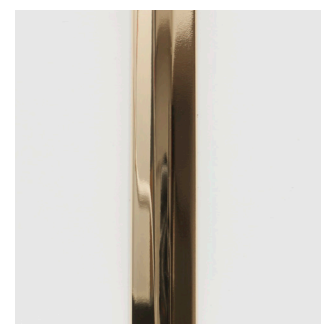
Polished Copper



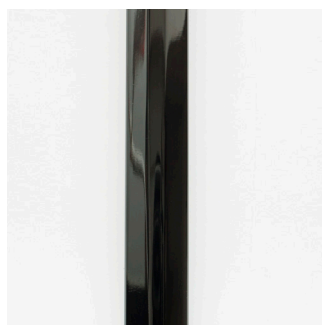
Medium Antique Brass



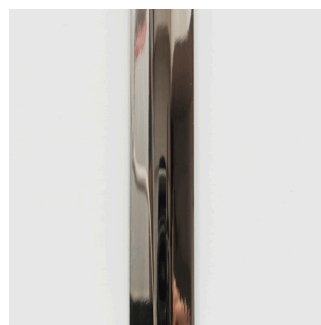
Dark Pewter



Polished Brass



Polished Black Nickel



Polished Nickel

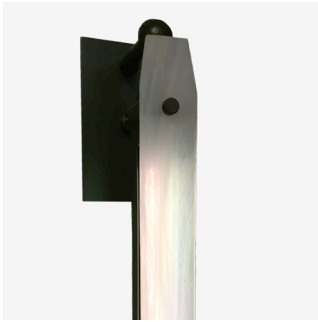
CO/ONY

Bec Brittain

Materials & Finishes

Custom materials & finish matching available

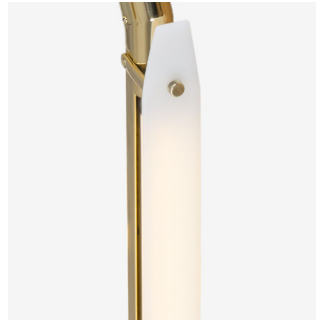
ZELDA DIFFUSER GLASS FINISHES (ADDITIONAL COST)



Iridescent Glass



Two-way Mirror



White Sandblast Glass