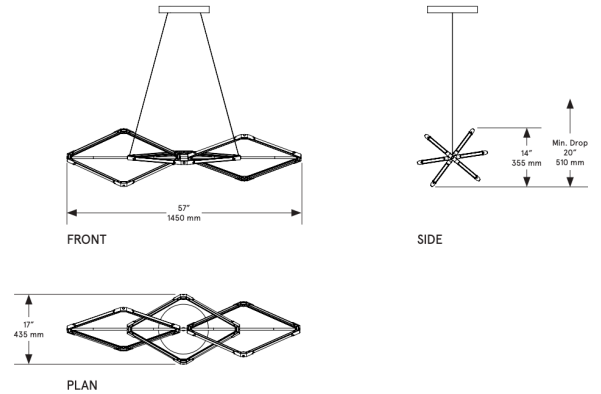


CO/ONY



BEC BRITTAIN Zelda Links Small

Standard Materials: Brass
Diffusers available at additional cost

Dimensions: 57" L x 17"W x 14"H

Lead Time: 14-16 weeks

Weight: 21lb

LED Illumination:

24 VDC T5 LED tube

90 CRI

2700 Kelvin

Electrical:

36 Watt

2880 Lumens

110-240 VAC

277 VAC upon request

Installation:

Locally Mounted Driver

120V C-L switching dimming (Lutron)

240V 0-10V wireless dimming (Lutron Pico)

Canopy 12.25"ø x 1.75"D, matching finish

Wiring:

24V low voltage power through the aircraft cables.

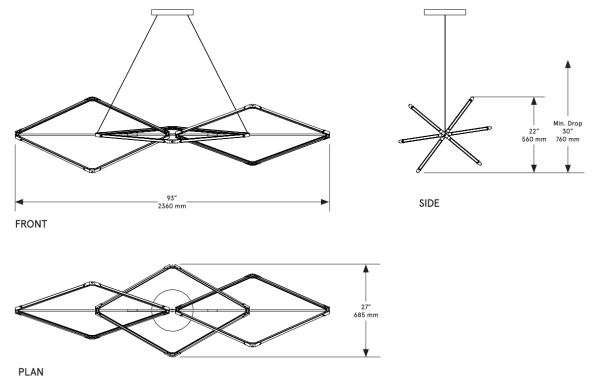
Suspension:

Aircraft cable with adjustable fasteners in the canopy.
Variable suspension height.

Please inquire for detailed electrical specs.

ETL listed to UL, CE and CSA standards, suitable for damp locations.

CO/ONY



BEC BRITAIN Zelda Links Medium

Standard Materials: Brass
Diffusers available at additional cost

Dimensions: 93"L x 27"W x 22"H

Lead Time: 14-16 weeks

Weight: 25lb

LED Illumination:

24 VDC T5 LED tube

90 CRI

2700 Kelvin

Electrical:

72 Watt

5760 Lumens

110-240 VAC

277 VAC upon request

Installation:

Locally Mounted Driver

0-10V wireless dimming (Lutron Pico)

Canopy 12.25"ø x 1.75"D, matching finish

Wiring:

24V low voltage power through the aircraft cables.

Suspension:

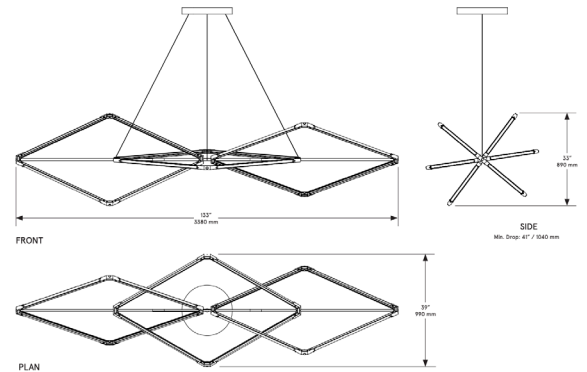
Aircraft cable with adjustable fasteners in the canopy.

Variable suspension height.

Please inquire for detailed electrical specs.

ETL listed to UL, CE and CSA standards, suitable for damp locations.

CO/ONY



BEC BRITTAIN Zelda Links Large

Standard Materials: Brass
Diffusers available at additional cost

Dimensions: 133"L x 39"W x 33"H

Lead Time: 14-16 weeks

Weight: 30lb

LED Illumination:

24 VDC T5 LED tube

90 CRI

2700 Kelvin

Electrical:

108 Watt

8640 Lumens

110-240 VAC

277 VAC upon request

Installation:

Locally Mounted Driver

0-10V wireless dimming (Lutron Pico)

Canopy 12.25"Ø x 1.75"D, matching finish

Wiring:

24V low voltage power through the aircraft cables.

Suspension:

Aircraft cable with adjustable fasteners in the canopy.

Variable suspension height.

Please inquire for detailed electrical specs.

ETL listed to UL, CE and CSA standards, suitable for damp locations.

CO/ONY

Bec Brittain

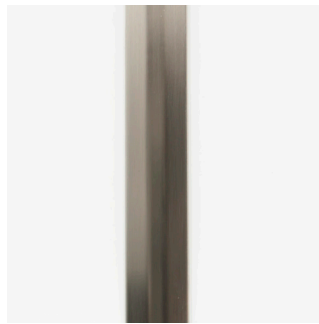
Materials & Finishes

Custom materials & finish matching available

STANDARD METAL FINISHES*



Brushed Brass



Satin Nickel

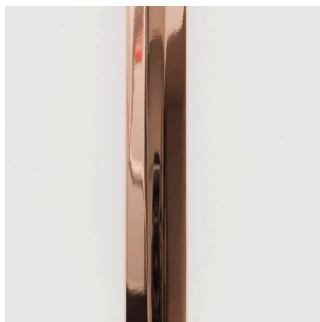


Oil Rubbed Bronze



Nickel Brass Contrast

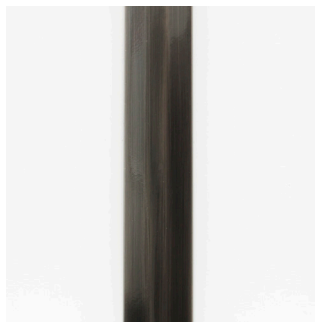
SPECIAL FINISHES - 10% UPCHARGE



Polished Copper



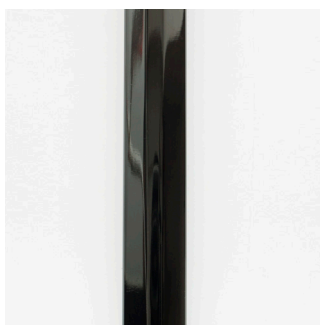
Medium Antique Brass



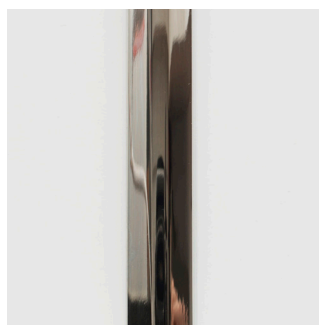
Dark Pewter



Polished Brass



Polished Black Nickel



Polished Nickel

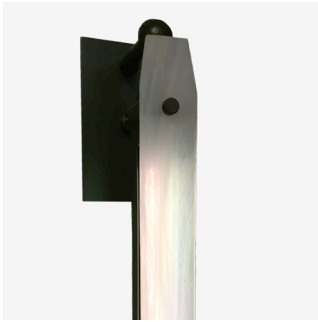
CO/ONY

Bec Brittain

Materials & Finishes

Custom materials & finish matching available

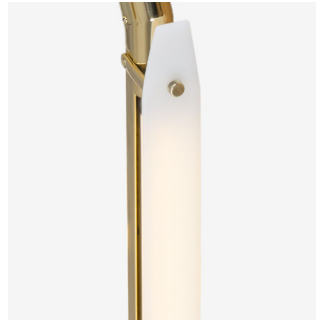
ZELDA DIFFUSER GLASS FINISHES (ADDITIONAL COST)



Iridescent Glass



Two-way Mirror



White Sandblast Glass