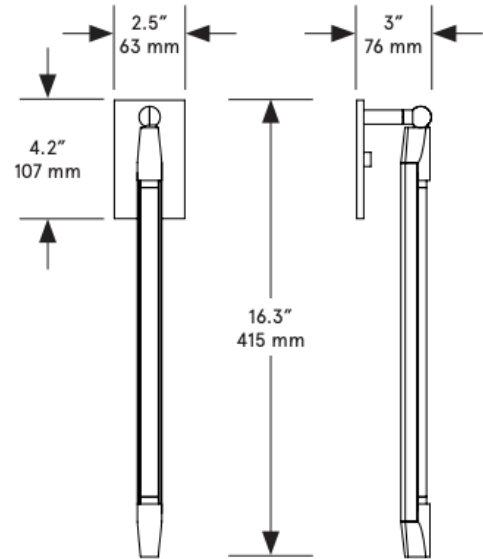


# CO/ONY



## BEC BRITAIN Shy Sconce 1'

### **Standard Materials:** Brass

Diffusers available at additional cost

**Dimensions:** 2.5"W x 3"D x 16.3"L

**Lead Time:** 14-16 weeks

**Weight:** 2.5 lb

### **LED Illumination:**

24 VDC T5 LED tube

2700 Kelvin

90 CRI

### **Electrical:**

3 Watt

240 Lumens

110 - 240 VAC

277 VAC upon request

### **Standard Installation:**

Locally Mounted Driver, refer to installation diagram.  
Remote Mounted Driver, backplate mounts directly to standard US single gang box.

### **Backplate:**

Locally Mounted Driver

3"W x 12.5"H, matching metal finish

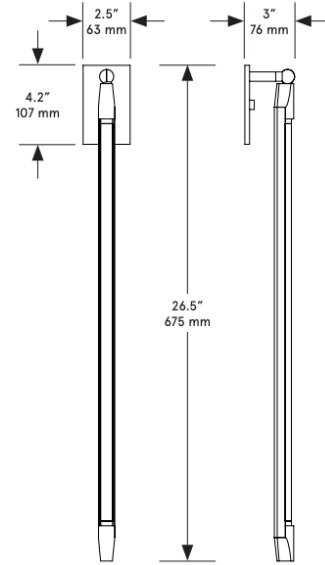
Remote Mounted Driver

3"W x 4.2"H, matching metal finish

*Please inquire for detailed electrical specs.*

*ETL listed to UL, CE and CSA standards, suitable for damp locations.*

# CO/ONY



## BEC BRITTAIN Shy Sconce 2'

### **Standard Materials:** Brass

Diffusers available at additional cost

**Dimensions:** 2.5"W x 3"D x 26.5"L

**Lead Time:** 14-16 weeks

**Weight:** 3 lb

### **LED Illumination:**

24 VDC T5 LED tube

2700 Kelvin

90 CRI

### **Electrical:**

6 Watt

480 Lumens

110 - 240 VAC

277 VAC upon request

### **Standard Installation:**

Locally Mounted Driver, refer to installation diagram.  
Remote Mounted Driver, backplate mounts directly to standard US single gang box.

### **Backplate:**

Locally Mounted Driver

3"W x 12.5"H, matching metal finish

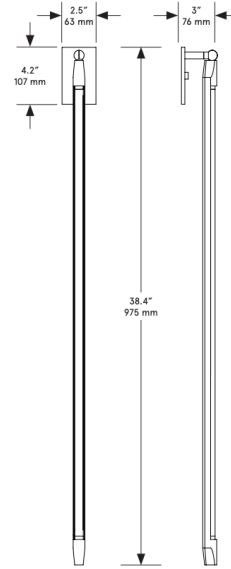
Remote Mounted Driver

3"W x 4.2"H, matching metal finish

*Please inquire for detailed electrical specs.*

*ETL listed to UL, CE and CSA standards, suitable for damp locations.*

# CO/ONY



## BEC BRITTAIN Shy Sconce 3'

**Standard Materials:** Brass  
Diffusers available at additional cost

**Dimensions:** 2.5"W x 3"D x 38.4"L

**Lead Time:** 14-16 weeks

**Weight:** 3.5 lb

**LED Illumination:**

24 VDC T5 LED tube  
2700 Kelvin  
90 CRI

**Electrical:**

9 Watt  
720 Lumens  
110 - 240 VAC  
277 VAC upon request

**Standard Installation:**

Locally Mounted Driver, refer to installation diagram.  
Remote Mounted Driver, backplate mounts directly to standard US single gang box.

**Backplate:**

Locally Mounted Driver  
3"W x 12.5"H, matching metal finish  
Remote Mounted Driver  
3"W x 4.2"H, matching metal finish

*Please inquire for detailed electrical specs.  
ETL listed to UL, CE and CSA standards, suitable  
for damp locations.*

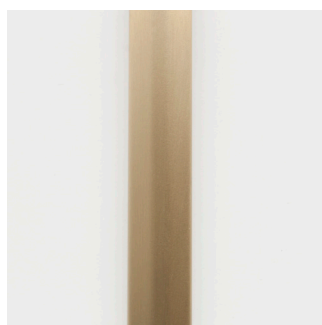
# CO/ONY

## Bec Brittain

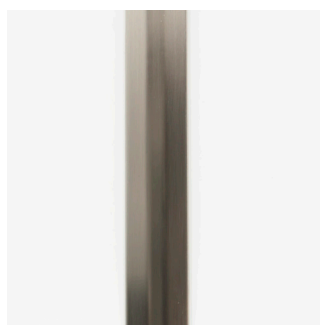
### Materials & Finishes

Custom materials & finish matching available

#### STANDARD METAL FINISHES



Brushed Brass



Satin Nickel

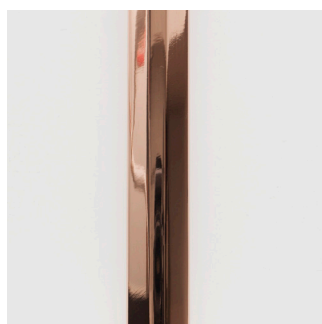


Oil Rubbed Bronze



Nickel Brass Contrast

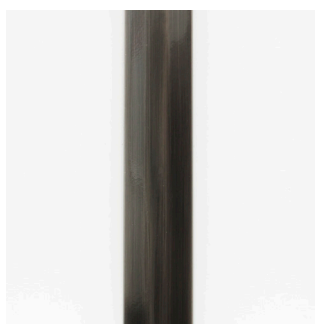
#### SPECIAL FINISHES - 10% UPCHARGE



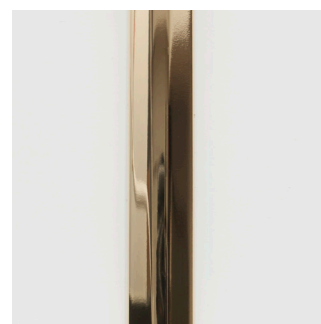
Polished Copper



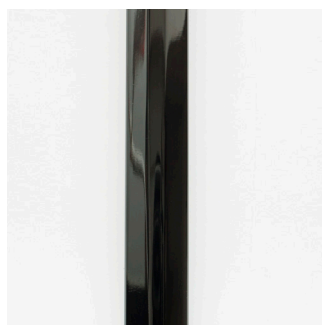
Medium Antique Brass



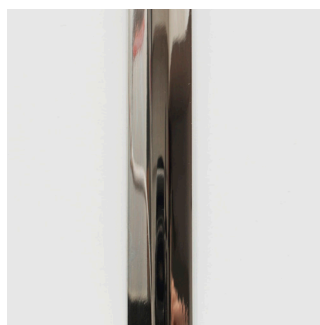
Dark Pewter



Polished Brass



Polished Black Nickel



Polished Nickel

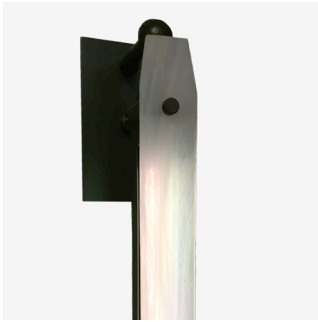
# CO/ONY

## Bec Brittain

### Materials & Finishes

Custom materials & finish matching available

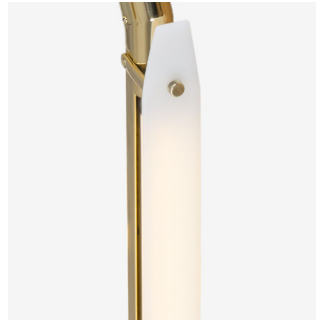
#### SHY DIFFUSER GLASS FINISHES (ADDITIONAL COST)



Iridescent Glass



Two-way Mirror



White Sandblast Glass