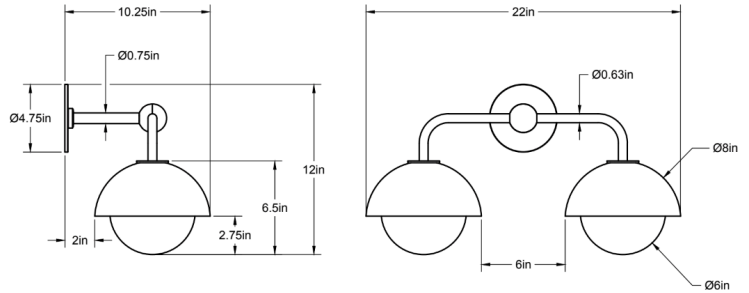


CO/ONY



ALLIED MAKER

Prospect Double Sconce 08"

The Prospect Double Sconce was designed with an emphasis on strong joinery and great light output. Two domes are meticulously connected from a single source to spread light over a large area, and it's solid brass construction withstands the outdoor elements and develops a beautiful organic patina with time. Shown in blackened brass.

Dimensions: 10.25"L x 22"W x 12"H

Weight: 14.75 lbs

Standard Materials: Machined Brass, Blown Glass

Lead Time: Please Inquire

Certifications: cUL Damp Locations

Lamping: 120V - E26 Base

240V - E27 Base

Bulb Included: A19 Cree LED

2x 10W (60W Equivalent) LED

1630 Total Lumen Output

2700K / 90 CRI

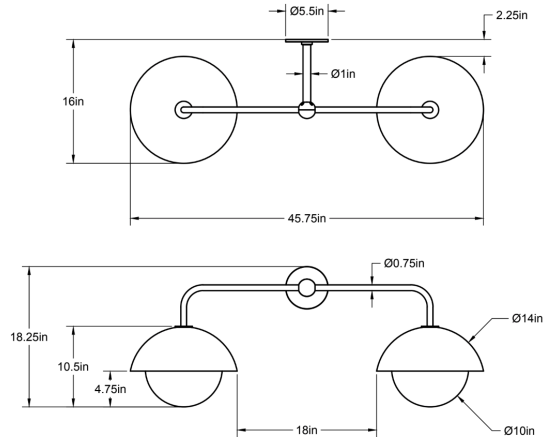
E26 Base / Dimmable / 120 Volt

240V available upon request

324 Canal St, 2nd fl.
New York, NY 10013

info@goodcolony.com

CO/ONY



ALLIED MAKER

Prospect Double Sconce 14"

The Prospect Double Sconce was designed with an emphasis on strong joinery and great light output. Two domes are meticulously connected from a single source to spread light over a large area, and it's solid brass construction withstands the outdoor elements and develops a beautiful organic patina with time. Shown in brass.

Dimensions: 16"L x 45.75"W x 18.25"H

Weight: 28.5 lbs

Standard Materials: Machined Brass, Blown Glass

Lead Time: Please Inquire

Certifications: cUL Damp Locations

Lamping: 120V - E26 Base

240V - E27 Base

Bulb Included: A19 Cree LED

2x 10W (60W Equivalent) LED

1630 Total Lumen Output

2700K / 90 CRI

E26 Base / Dimmable / 120 Volt

240V available upon request