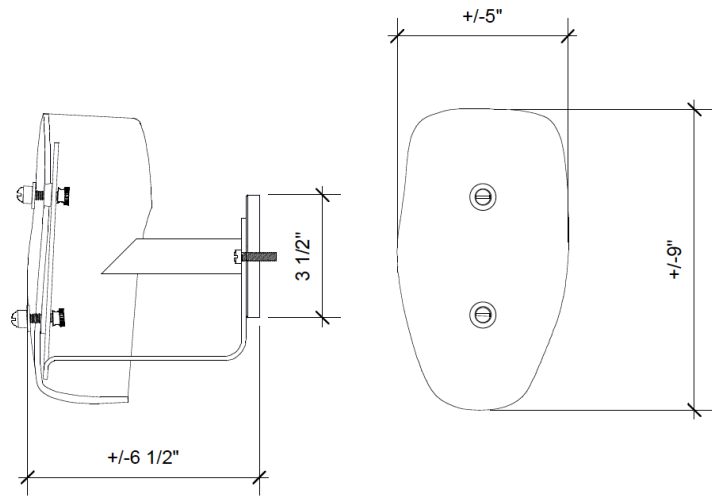


THE PRINCIPALS COLLECTION  
BY CO/ONY



Jes Paone

The Principals Collection

Desert Sconce

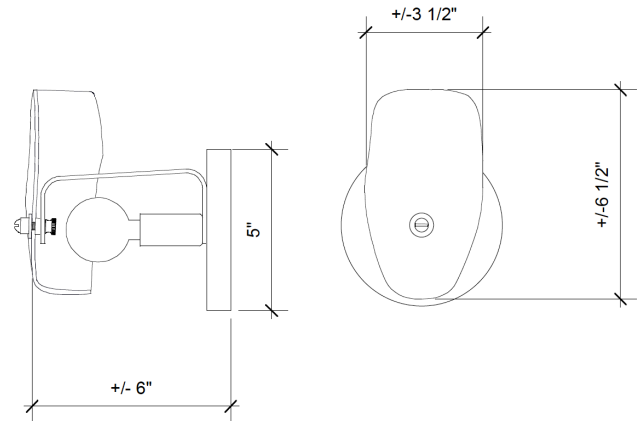
The Desert Sconce features Jes Paone's Signature one of a kind texture reminiscent of a dried out lake bed or a death valley desert floor. The porcelain shade is suspended on a custom brass armature.

Standard Materials: Porcelain and Brass

4"W x 8"H

Lead Time: 16 - 20 weeks

THE PRINCIPALS COLLECTION  
BY CO/ONY



Jes Paone

The Principals Collection

Desert Sconce

The Desert Sconce features Jes Paone's Signature one of a kind texture reminiscent of a dried out lake bed or a death valley desert floor. The porcelain shade is suspended on a custom brass armature.

Standard Materials: Porcelain and Brass

4"W x 5" H

Lead Time: 16 - 20 weeks