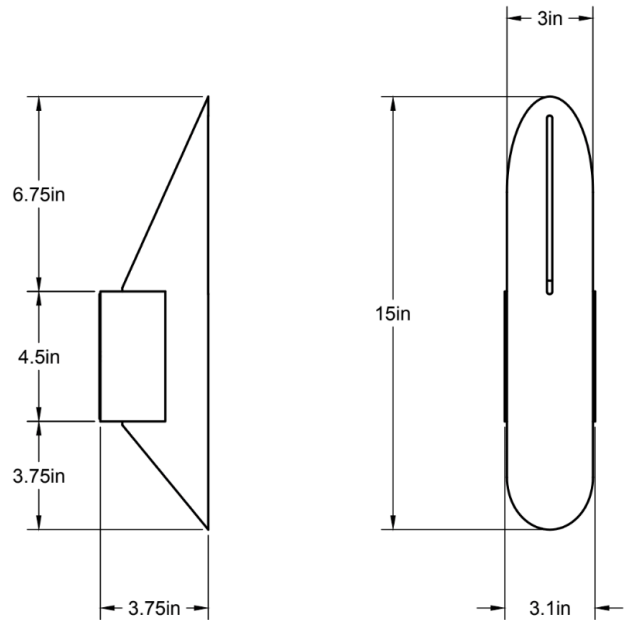


# CO/ONY



## ALLIED MAKER

### Voyager II 15"

An angular cut through the brass shade allows light to escape through the Voyager 11 sconce. This fixture is wet rated for both indoor and outdoor use. Shown in gradient brass.

Standard Materials: Machined Brass

3.75"L x 3.1"W x 15"H

Weight: 8 lbs

Lead Time: Please Inquire

Mounting: Designed to fit over a 2" x 3" single gang junction box

Backplate adapters are available for other junction box sizes

Certifications: Suitable for Wet Locations

UL Listed, ADA compliant

Lamping: 2x Direct AC LED Modules (No Driver Required)

Available in 120 or 240 volt

9W (60W Equal)

90+ CRI 2700K, 50K Life Hours

Dimmable 800 Lumen Output

Recommended Dimmer: Lutron Diva CL Dimmer or Lutron Diva ELV Dimmer