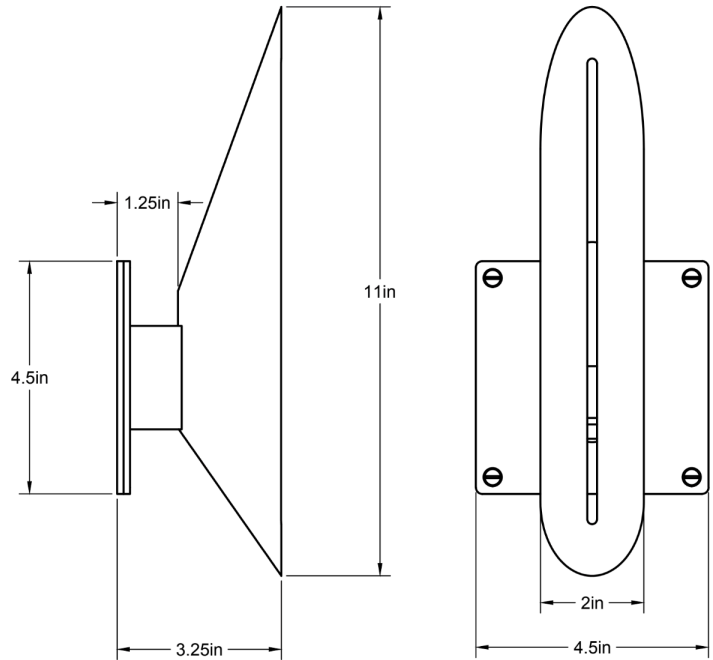


CO/ONY



ALLIED MAKER

Voyager 11 Dual Sconce

A linear machined slot accents the elongated machined brass shade of the Voyager 11 Dual Sconce. Shown in bronze.

Standard Materials: Machined Brass

3.25"L x 4.5"W x 11"H

Weight: 3.5 lbs

Lead Time: Please Inquire

Certifications: cUL Damp Locations

Mounting: Fits all standard Junction Boxes

Lamping: 120V - G8 Bi-pin Base

240V - G8 Bi-pin Base

Bulb Included: G8 Emery Allen LED

4.5W (50W Equivalent) LED

450 Total Lumen Output

2700K / 90 CRI

G8 Bi-pin Base / Dimmable / 120 Volt

240V available upon request