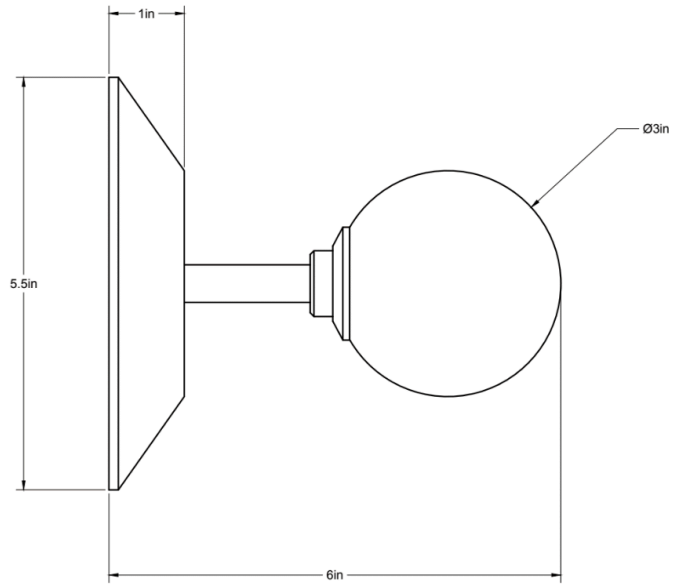


CO/ONY



ALLIED MAKER

Stud Sconce

Featuring a minimal composition and hand worked materials, the Stud Sconce is a tiny yet elevated fixture. Shown in black walnut, brass and opal glass.

Standard Materials: Machined Brass, Blown Glass and Hardwood

6"L x 5.5"Ø

Weight: 2 lbs

Lead Time: Please Inquire

Certifications: cUL Damp Locations

Mounting: Fits all standard Junction Boxes

Lamping: 120V - G8 Bi-pin Base

240V - G8 Bi-pin Base

Bulb Included: G8 Emery LED

4.5W LED

450 Total Lumen Output

2700K / 90 CRI

G8 Bi-pin Base / Dimmable / 120 Volt

240V available upon request