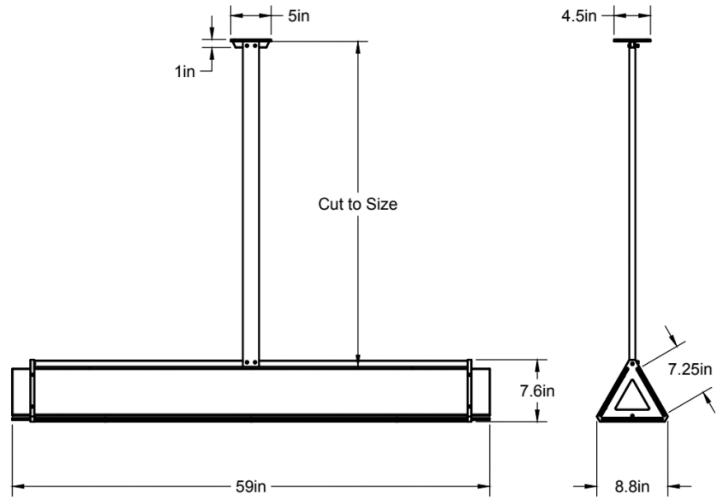


CO/ONY



ALLIED MAKER

Prism Pendant 59"

The Prism Pendant is composed of blown glass sheets fixed to mimic a prism, reflecting and refracting the inner light source. Shown in smoked glass and blackened brass.

Standard Materials: Machined Brass and Blown Glass

59"L x 8.8"W x 7.6"H

Weight: 27 lbs

Lead Time: Please Inquire

Certifications: cUL Damp Locations

Mounting: Fits all standard Junction Boxes

Lamping: Approx. 1700 Total Lumen Output

2700K / 95 CRI

Integrated LED / Dimmable / 120 Volt

240 Volt available upon request