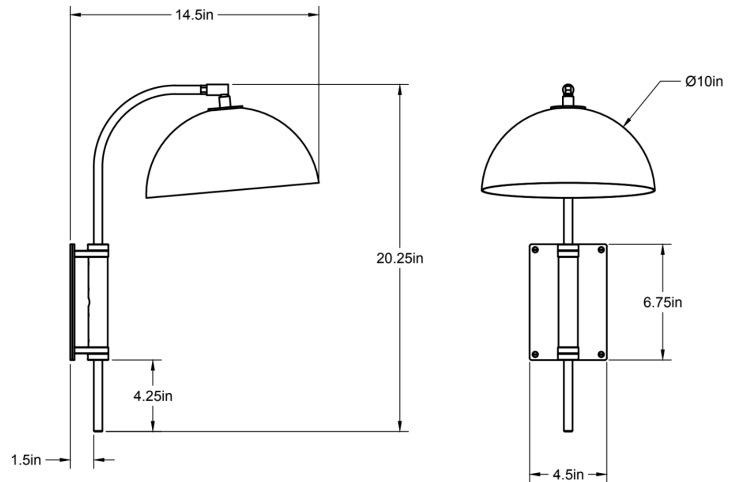


CO/ONY



ALLIED MAKER

Pigalle Sconce

The Pigalle Sconce is composed of a hand-spun brass dome shade suspended from a curved armature. A hardwood bracket provides a warm detail as well as wall mounting. Shown in flat black brass and black walnut. Custom dimensions, finishes and materials available.

Standard Materials: Machined Brass, Blown Glass and Hardwood

14.5”L x 10”W x 20.25”H

Weight: 7.5 lbs

Lead Time: 4-6 Weeks

Certifications: cUL Damp Locations

Mounting: Fits all standard Junction Boxes

Lamping: 120V - G8 Bi-pin Base

240V - G8 Bi-pin Base

Bulb Included: G8 Emery Allen LED

4.5W (50W Equivalent) LED

410 Total Lumen Output

2700K / 90 CRI

G8 Bi-pin Base / Dimmable / 120 Volt

240V available upon request