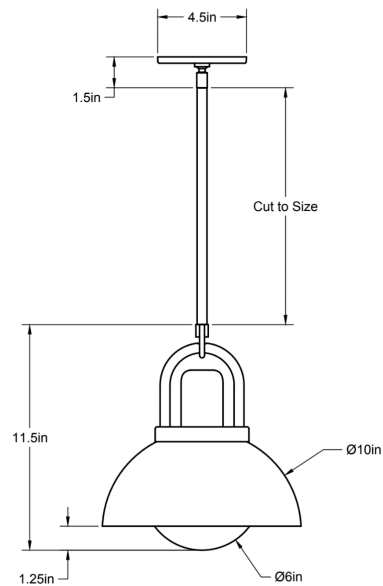


# CO/ONY



## ALLIED MAKER

### Perforated Arc 10"

The Perforated Arc series highlights carefully proportioned arcs of mixed materials, creating a contemporary take on a classic silhouette. Shown in blackened brass, black walnut and matte white glass.

Standard Materials: Machined Brass, Blown Glass and Hard Wood

11.5"H x 10"Ø

Weight: 7.75 lbs

Lead Time: Please Inquire

Certifications: cUL Damp Locations

Mounting: Fits all standard Junction Boxes

Lamping: 120V - E26 Base

240V - E27 Base

Bulb Included: A19 Cree LED

10W (60W Equivalent) LED

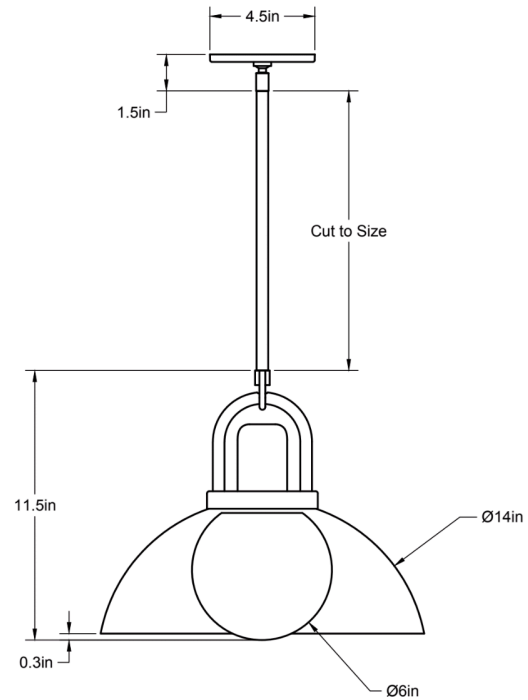
815 Total Lumen Output

2700K / 90 CRI

E26 Base / Dimmable / 120 Volt

240V available upon request

# CO/ONY



## ALLIED MAKER

### Perforated Arc 14"

The Perforated Arc series highlights carefully proportioned arcs of mixed materials, creating a contemporary take on a classic silhouette. Shown in blackened brass, black walnut and matte white glass.

Standard Materials: Machined Brass, Blown Glass and Hard Wood

11.5"H x 14"Ø

Weight: 10.25 lbs

Lead Time: Please Inquire

Certifications: cUL Damp Locations

Mounting: Fits all standard Junction Boxes

Lamping: 120V - E26 Base

240V - E27 Base

Bulb Included: A19 Cree LED

10W (60W Equivalent) LED

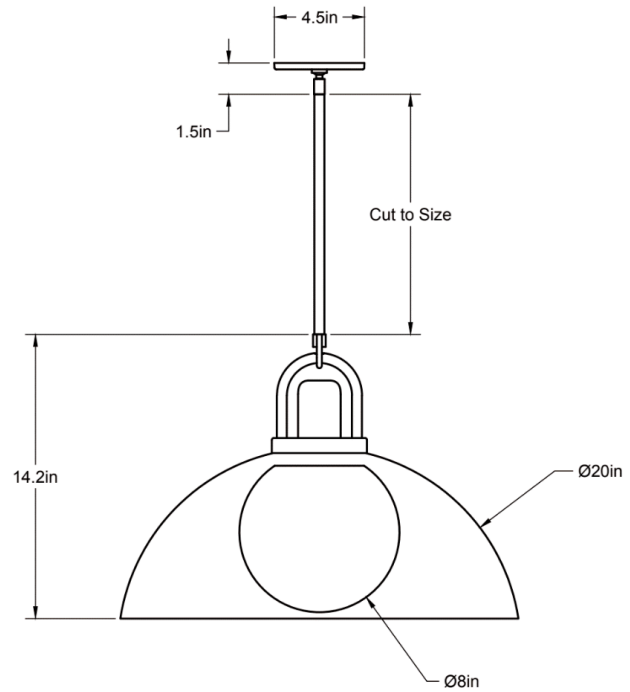
815 Total Lumen Output

2700K / 90 CRI

E26 Base / Dimmable / 120 Volt

240V available upon request

# CO/ONY



## ALLIED MAKER

### Perforated Arc 20"

The Perforated Arc series highlights carefully proportioned arcs of mixed materials, creating a contemporary take on a classic silhouette. Shown in blackened brass, black walnut and matte white glass.

Standard Materials: Machined Brass, Blown Glass and Hard Wood

11.5"H x 20"Ø

Weight: 16.75 lbs

Lead Time: Please Inquire

Certifications: cUL Damp Locations

Mounting: Fits all standard Junction Boxes

Lamping: 120V - E26 Base

240V - E27 Base

Bulb Included: A19 Cree LED

12W (75W Equivalent) LED

1100 Total Lumen Output

2700K / 90 CRI

E26 Base / Dimmable / 120 Volt

240V available upon request