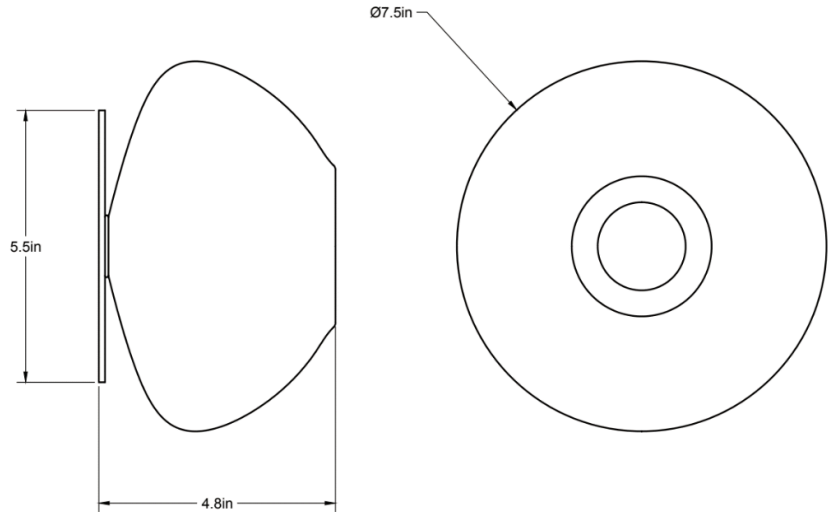


# CO/ONY



## ALLIED MAKER

Molten Sconce

In collaboration with renowned glass artisan Michiko Sakano, this sconce is inspired by her process. The organic shape and minimal design highlight the beauty of blown glass at the hands of a master. Shown in smoked glass.

Dimensions: 4.8"L x 7.5"Ø

Weight: 3.25 lbs

Standard Materials: Machined Brass, Blown Glass

Lead Time: Please Inquire

Certifications: cUL Damp Locations

Lamping: 120V - E12 Base

240V - E14 Base

Bulb Included: G16 Tala LED

5W LED

275 Total Lumen Output

2700K / 90 CRI

E12 Base / Dimmable / 120 Volt

240V available upon request