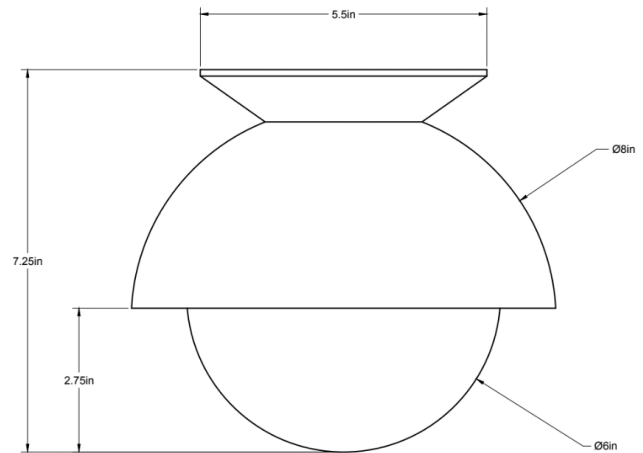


# CO/ONY



## ALLIED MAKER

### Flush Dome 08"

The Flush Dome's elegant proportions highlight the beautiful quality of the spun brass shade and blown glass globe. Shown in blackened brass and matte white glass.

Standard Materials: Machined Brass, Blown Glass and Hard Wood

7.25"H x 8"Ø

Weight: 6.5 lbs

Lead Time: 2 - 14 weeks

Certifications: cUL Damp Locations

Mounting: Fits all standard Junction Boxes

Lamping: 120V - E26 Base

240V - E27 Base

Bulb Included: A19 Cree LED

10W (60W Equivalent) LED

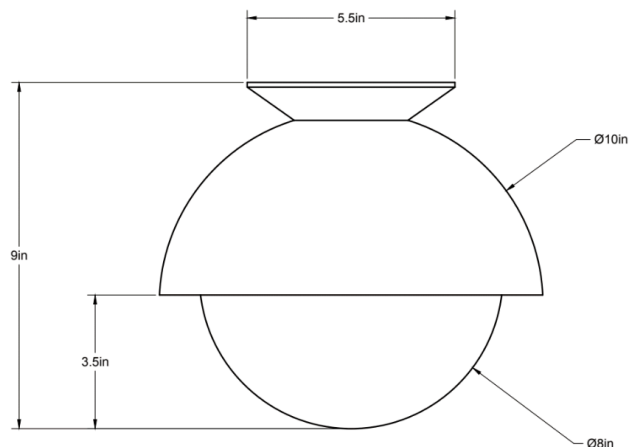
815 Total Lumen Output

2700K / 90 CRI

E26 Base / Dimmable / 120 Volt

240V available upon request

# CO/ONY



## ALLIED MAKER

### Flush Dome 10"

The Flush Dome's elegant proportions highlight the beautiful quality of the spun brass shade and blown glass globe. Shown in blackened brass and matte white glass.

Standard Materials: Machined Brass, Blown Glass and Hard Wood

9"H x 10"Ø

Weight: 8.5 lbs

Lead Time: 2 - 4 weeks

Certifications: cUL Damp Locations

Mounting: Fits all standard Junction Boxes

Lamping: 120V - E26 Base

240V - E27 Base

Bulb Included: A19 Cree LED

10W (60W Equivalent) LED

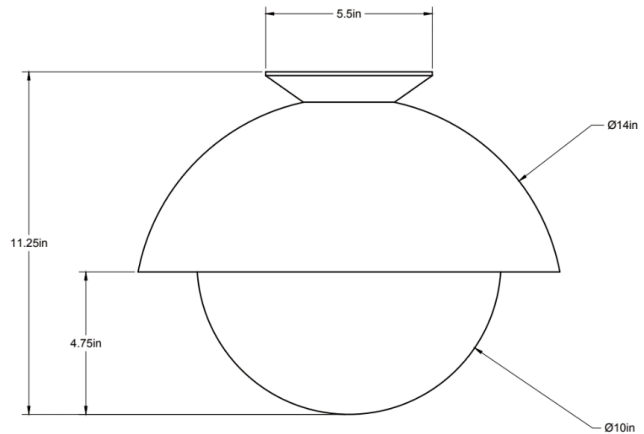
815 Total Lumen Output

2700K / 90 CRI

E26 Base / Dimmable / 120 Volt

240V available upon request

# CO/ONY



## ALLIED MAKER

### Flush Dome 14"

The Flush Dome's elegant proportions highlight the beautiful quality of the spun brass shade and blown glass globe. Shown in blackened brass and matte white glass.

Standard Materials: Machined Brass, Blown Glass and Hard Wood

11.25"H x 14"Ø

Weight: 11.25 lbs

Lead Time: 2 - 4 weeks

Certifications: cUL Damp Locations

Mounting: Fits all standard Junction Boxes

Lamping: 120V - E26 Base

240V - E27 Base

Bulb Included: A19 Cree LED

10W (60W Equivalent) LED

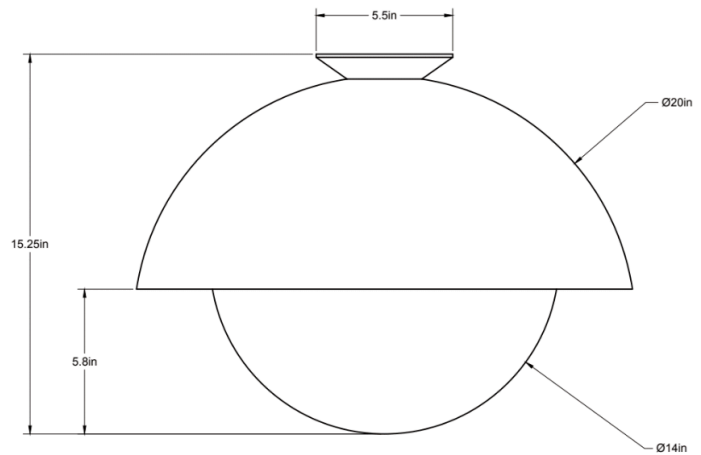
815 Total Lumen Output

2700K / 90 CRI

E26 Base / Dimmable / 120 Volt

240V available upon request

# CO/ONY



## ALLIED MAKER

### Flush Dome 20"

The Flush Dome's elegant proportions highlight the beautiful quality of the spun brass shade and blown glass globe. Shown in blackened brass and matte white glass.

Standard Materials: Machined Brass, Blown Glass and Hard Wood

15.25"H x 20"Ø

Weight: 24.75 lbs

Lead Time: 5 - 7 weeks

Certifications: cUL Damp Locations

Mounting: Fits all standard Junction Boxes

Lamping: 120V - E26 Base

240V - E27 Base

Bulb Included: A19 Cree LED

12W (75W Equivalent) LED

1100 Total Lumen Output

2700K / 90 CRI

E26 Base / Dimmable / 120 Volt

240V available upon request