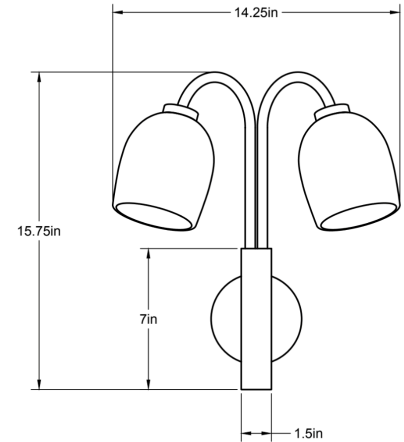
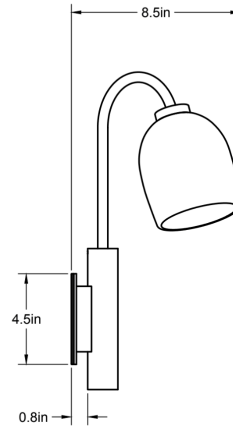


CO/ONY



ALLIED MAKER

Dual Crux Sconce

The Dual Crux sconce highlights the beauty of symmetry with modern curves. Two blown glass shades meet at a central brass body. Shown in blackened brass and opal glass.

Dimensions: 8.5"L x 14.25"W x 15.75"H

Weight: 7 lbs

Standard Materials: Machined Brass, Blown Glass

Lead Time: Please inquire

Certifications: cUL Damp Locations

Lamping: 120V - G8 Bi-pin Base

240V - G8 Bi-pin Base

Bulb Included: G8 Emery Allen LED

2x 4.5W (50W Equivalent) LED

900 Total Lumen Output

2700K / 90 CRI

G8 Bi-pin Base / Dimmable / 120 Volt

240V available upon request