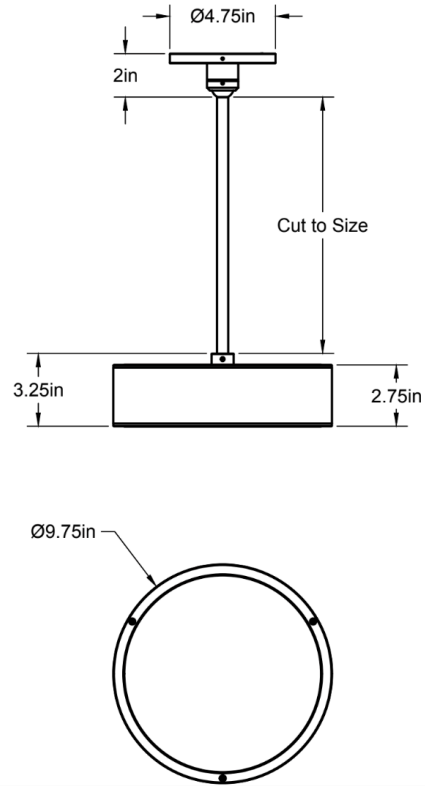


CO/ONY



ALLIED MAKER

Monoscope Pendant 10"

The Monoscope collection is an expression of simple yet richly textured geometry. Hardwood veneer is wrapped over an Aluminum LED core and diffused by Japanese paper, borosilicate glass, and brass fittings. These materials are brought together by a skilled artisan to form an incredibly well diffused and bright lighting fixture. Shown in blackened brass and black walnut.

Standard Materials: Hardwood Veneer, Brass, Glass, Aluminum, Hakkinshi Paper

9.75"Ø x 3.25"H

Weight: 19.25 lbs

Lead Time: Please Inquire

Certifications: cUL Damp Locations

Mounting: Fits all standard junction boxes

Lamping: Integrated 16W LED

2,200 Total Lumen Output

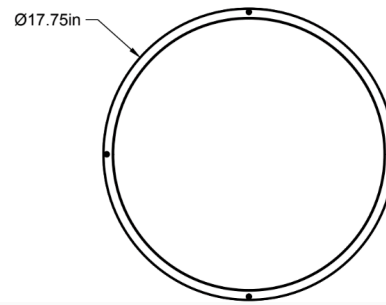
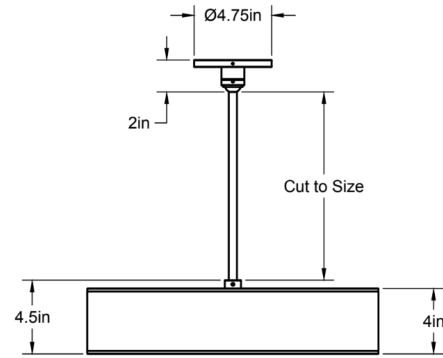
2700K / 90+ CRI

Lifetime: 50,000 hours

Designed for easy service / lamp replacement

120V or 240V

CO/ONY



ALLIED MAKER

Monoscope Pendant 18"

The Monoscope collection is an expression of simple yet richly textured geometry. Hardwood veneer is wrapped over an Aluminum LED core and diffused by Japanese paper, borosilicate glass, and brass fittings. These materials are brought together by a skilled artisan to form an incredibly well diffused and bright lighting fixture. Shown in blackened brass and black walnut.

Standard Materials: Hardwood Veneer, Brass, Glass, Aluminum, Hakkinshi Paper

17.75"Ø x 4.5"H

Weight: 60.5 lbs

Lead Time: Please Inquire

Certifications: cUL Damp Locations

Mounting: Fits all standard junction boxes

Lamping: Integrated 16W LED

2,200 Total Lumen Output

2700K / 90+ CRI

Lifetime: 50,000 hours

Designed for easy service / lamp replacement

120V or 240V