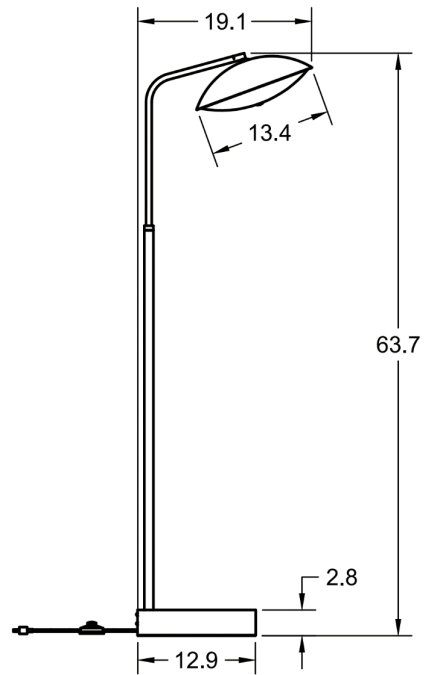


# CO/ONY



## ALLIED MAKER

### Crest Floor Lamp

The Crest Floor Lamp features a wooden base crafted from premium-grade American Walnut, finished to highlight its unique grain patterns. Shown in black walnut and brass.

Dimensions: 19.1”L x 13.4”W x 63.7”H

Weight: 19 lbs

Standard Materials: Machined Brass, Blown Glass, and Hard Wood

Lead Time: Please Inquire

Certifications: cUL Damp Locations

Lamping: 120V - G8 Bi-pin Base

240V - G8 Bi-pin Base

Bulb Included: G8 Emery Allen LED

4x 4.5W (50W Equivalent) LED

1800 Total Lumen Output

2700K / 90 CRI

G8 Bi-pin Base / Dimmable / 120 Volt

240V available upon request