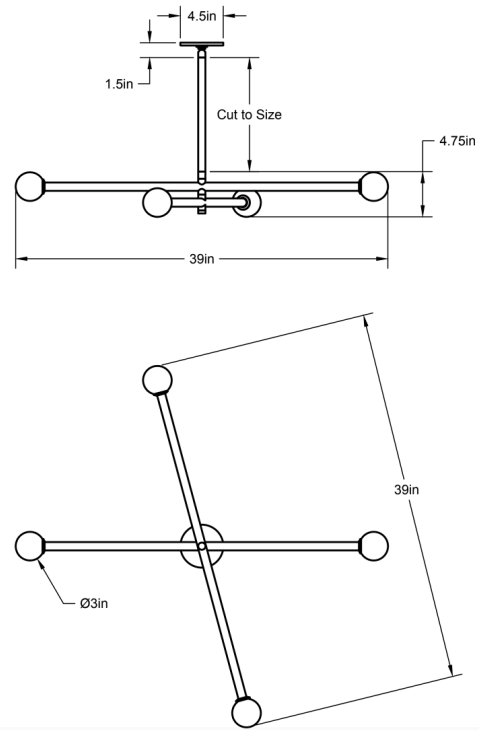


CO/ONY



ALLIED MAKER

Brass X4

A sleek pendant composed of of brass tubes, and symmetric blown glass globes. The Brass X4 features arms that can freely rotate to open up interaction to a space. Shown in brass and opal glass.

Dimensions: 39"L x 29"W x 4.75"H

Weight: 10 lbs

Standard Materials: Machined Brass, Blown Glass

Lead Time: Please Inquire

Mounting: Fits all standard junction boxes

Certifications: cUL Damp Locations

Lamping: 120V - G8 Bi-pin Base

240V - G8 Bi-pin Base

Bulb Included: G8 Emery Allen LED

4x 4.5W (50W Equivalent) LED

1640 Total Lumen Output

2700K / 90 CRI

G8 Bi-pin Base / Dimmable / 120 Volt

240V available upon request