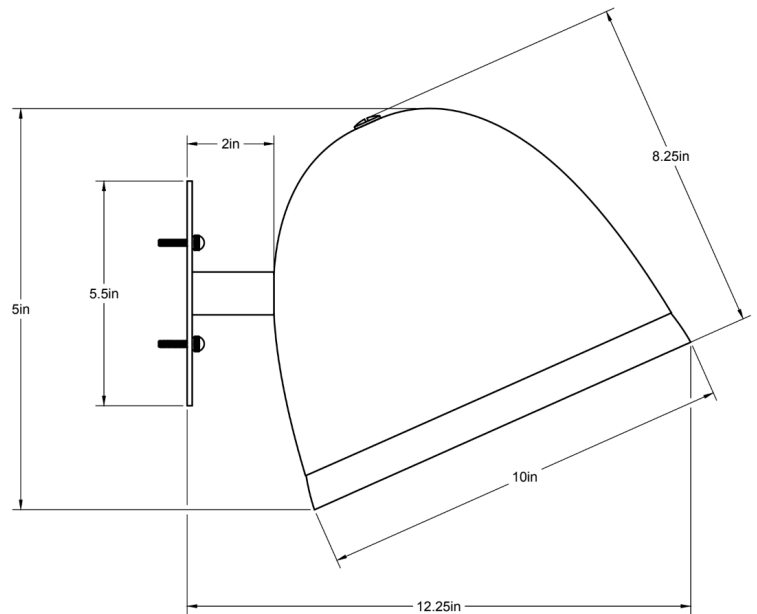


# CO/ONY



## ALLIED MAKER

### Atelier Sconce 10"

Atelier Sconce is composed of a hand-spun brass shade slipped over a cast-glass dome. A line of glass is revealed from the profile, highlighting the contrast between materials and sophisticated proportions. Shown in flat black brass and white glass.

Dimensions: 12.25"H x 10"W x 5"H

Weight: 6.75 lbs

Standard Materials: Machined Brass, Blown Glass

Lead Time: Please Inquire

Certifications: cUL Damp Locations

Lamping: 120V - G8 Bi-pin Base

240V - G8 Bi-pin Base

Bulb Included: G8 Emery Allen LED

4x 4.5W (50W Equivalent) LED

1800 Total Lumen Output

2700K / 90 CRI

G8 Bi-pin Base / Dimmable / 120 Volt

240V available upon request