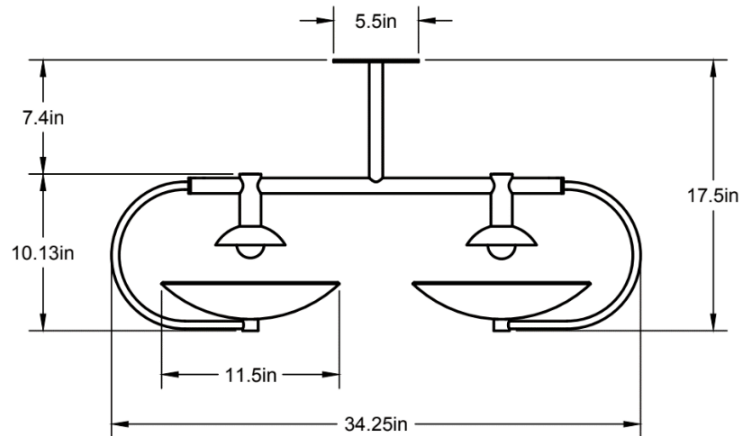


CO/ONY



ALLIED MAKER

Aperture Double

The Aperture collection employs hand-bent glass diffusers to combine bounce and ambient glow for a lovely quality of light. The light source of the Aperture Double features two glass domes connected via bent metal rods. This Aperture Double is shown in nickel and opal glass.

Dimensions: 34.25"L x 11.5"W x 17.5"H

Weight: 11 lbs

Standard Materials: Machined Brass, Blown Glass

Lead Time: Please Inquire

Certifications: cUL Damp Locations

Mounting: Fits all standard Junction Boxes

Lamping: 120V - E12 Base

240V - E14 Base

Bulb Included: G16 Tala LED

2x 5W LED

550 Total Lumen Output

2700K / 90 CRI

E12 Base / Dimmable / 120 Volt

240V available upon request

324 Canal St, 2nd fl.
New York, NY 10013

info@goodcolony.com