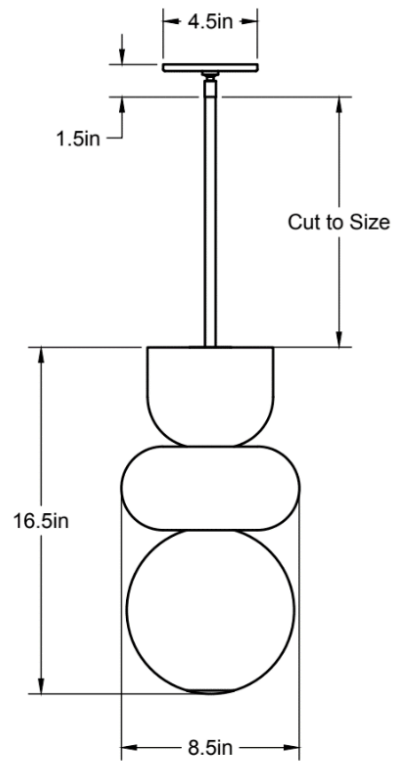


CO/ONY



ALLIED MAKER

Alabaster Totem 3

Inspired by the beauty of an ancient material, the Alabaster Totem 3 aims to showcase the ethereal translucency of this precious stone. Shown in brass.

Dimensions: 16.5"H x 8.5" Ø

Weight: 55lbs

Standard Materials: Alabaster Stone, Machined Brass, Machined Aluminum

Lead Time: Please Inquire

Certifications: cUL Damp Locations

Lamping: Integrated LED / Dimmable / 120 Volt

13W (75 Equivalent) LED

approx. 1200 Total Lumen Output

2700K / 80 CRI

240 V available upon request