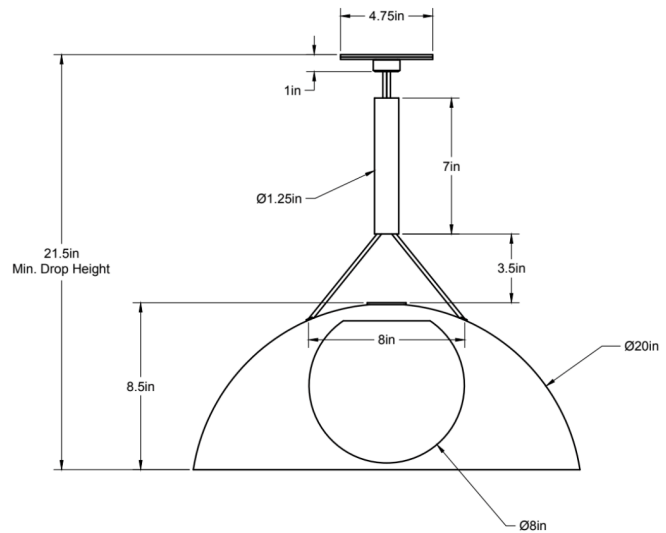


# CO/ONY



## ALLIED MAKER

### A Frame Half Dome

This hand-spun 20" dome is meticulously brushed and waxed to a matte satin finish. The piece is finished with a matching metal canopy and two-tone wooden dowel, turned on a lathe and finished with natural oils. Shown in blackened brass and black walnut.

Dimensions: 8.5"H x 20"Ø

Weight: 19.25 lbs

Standard Materials: Machined Brass, Blown Glass, and Hardwood

Lead Time: 5-7 Weeks

Certifications: cUL Damp Locations

Lamping: 120V - E26 Base

240V - E27 Base

Bulb Included: A19 Cree LED

12W (75W Equivalent) LED

1100 Total Lumen Output

2700K / 90 CRI

E26 Base / Dimmable / 120 Volt

240V available upon request