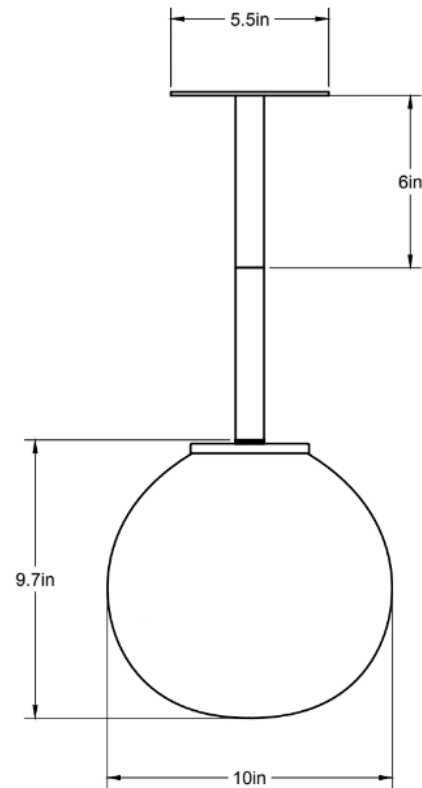


# CO/ONY



## ALLIED MAKER

### Parison Pendant

The nuanced form of the Parison Pendant features an organically shaped blown glass globe completed with a knurled wood hang rod running up to the canopy. Shown in blackened brass, mixed wood finishes and opal glass.

Dimensions: 10"Ø x 9.7"H

Weight: 8.75 lbs

Standard Materials: Walnut, Oak, Ash, Brass, Bronze, Nickel, Glass

Lead Time: Please Inquire

Certifications: cUL Damp locations

J-Box Requirements: Fits all standard junction boxes.

Lamping: 120V - E12 Base / 240V - E14 Base

Bulb Included: G50 Tala LED

275 Total Lumen Output

2700K / 95 CRI

E12 Base / Dimmable / 120 Volt

240V available upon request