

ALLIED MAKER

Dome Pendant 8" Perforated

The Dome collection features a signature hand-spun brass dome paired with a glass globe. The metal shade of the Dome Pendant 8" Perforated has been evenly punctured to create a pattern of both the form and the light it emanates. This fixture is completed by a wooden finial that has been hand-turned on a lathe and finished with natural oils.

Dimensions: 8"Ø x 8.7"H

Weight: 5.5 lbs

Standard Materials: Walnut, Oak, Ash, Brass, Bronze, Nickel, Glass, Cord (black, white, linen, red)

Lead Time: Please Inquire

Certifications: cUL Damp locations

J-Box Requirements: Fits all standard junction boxes.

Lamping: 120V - E26 Base / 240V - E27 Base

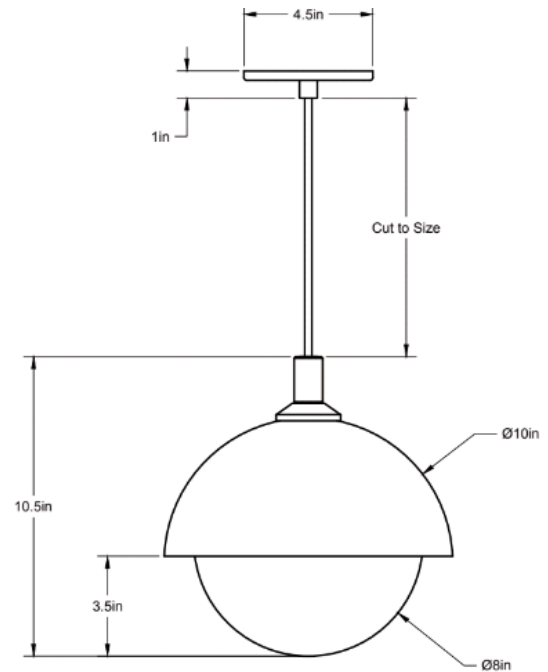
Bulb Included: A19 Cree LED

10W (60W Equivalent) LED

815 Total Lumen Output

2700K / 90 CRI / E26 Base / Dimmable / 120 Volt

240V available upon request



ALLIED MAKER

Dome Pendant 10" Perforated

The Dome collection features a signature hand-spun brass dome paired with a glass globe. The metal shade of the Dome Pendant 10" Perforated has been evenly punctured to create a pattern of both the form and the light it emanates. This fixture is completed by a wooden finial that has been hand-turned on a lathe and finished with natural oils.

Dimensions: 10"Ø x 10.5"H

Weight: 7 lbs

Standard Materials: Walnut, Oak, Ash, Brass, Bronze, Nickel, Glass, Cord (black, white, linen, red)

Lead Time: Please Inquire

Certifications: cUL Damp locations

J-Box Requirements: Fits all standard junction boxes.

Lamping: 120V - E26 Base / 240V - E27 Base

Bulb Included: A19 Cree LED

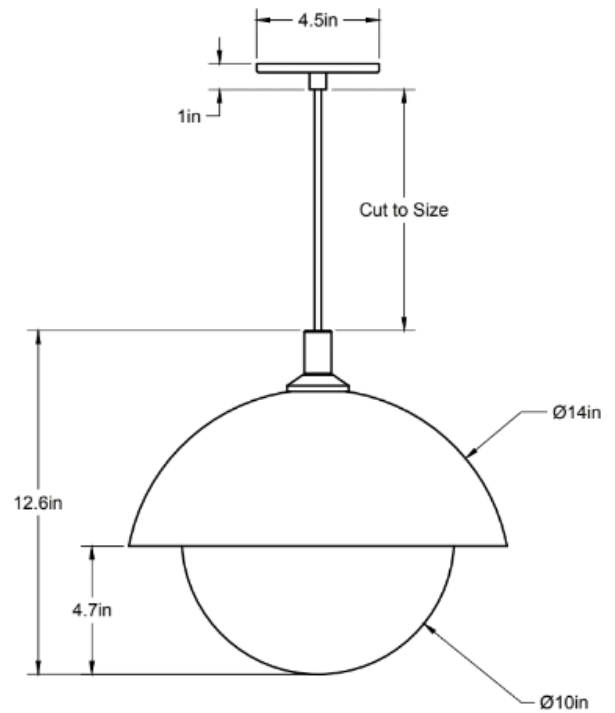
10W (60W Equivalent) LED

815 Total Lumen Output

2700K / 90 CRI / E26 Base / Dimmable / 120 Volt

220V available upon request

CO/ONY



ALLIED MAKER

Dome Pendant 14" Perforated

The Dome collection features a signature hand-spun brass dome paired with a glass globe. The metal shade of the Dome Pendant 10" Perforated has been evenly punctured to create a pattern of both the form and the light it emanates. This fixture is completed by a wooden finial that has been hand-turned on a lathe and finished with natural oils.

Dimensions: 14"Ø x 12.6"H

Weight: 11.25 lbs

Standard Materials: Walnut, Oak, Ash, Brass, Bronze, Nickel, Glass, Cord (black, white, linen, red)

Lead Time: Please Inquire

Certifications: cUL Damp locations

J-Box Requirements: Fits all standard junction boxes.

Lamping: 120V - E26 Base / 240V - E27 Base

Bulb Included: A19 Cree LED

10W (60W Equivalent) LED

815 Total Lumen Output

2700K / 90 CRI / E26 Base / Dimmable / 120 Volt

240V available upon request