



ALLIED MAKER

Triangle Mini Orb

The Mini Orb collection features mouth blown glass globes that sit flush on metal plates, creating the illusion of zero hardware. The Triangle Mini Orb is completed by a large triangular brass plate that allows for flush mounting on walls or ceilings.

Dimensions: 9"W x 3"D x 9"H

As Shown: Brass, Glass

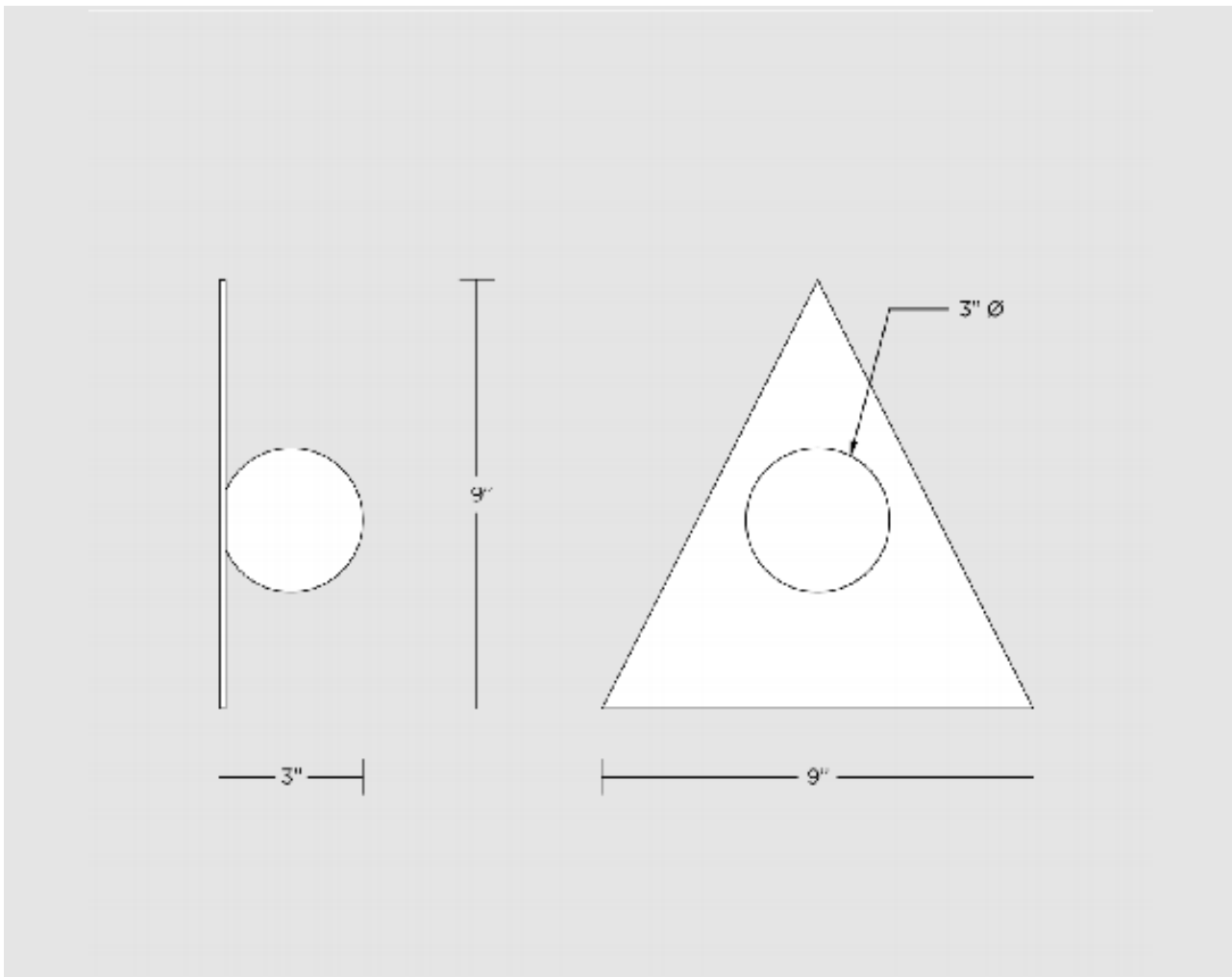
Available in any Allied Maker finish

Certifications: UL and CE Certified

Suitable for damp locations

Lead Time: Please Inquire

CO/ONY



ALLIED MAKER

Triangle Mini Orb

Overall Fixture Size: 9"W x 3"D x 9"H

Canopy Size: 9"L x 9"W x 0.125"H

Globe Size: 3"Ø

Lamping: 1 x 3W G9 LED

9 Watts max. / LED only / 0.75"Ø max.

3000K / 80 CRI / 300 Lumen

G9 Bi-pin Base / Dimmable / 120 Volt