



ALLIED MAKER

Stud Sconce

The Stud Sconce is a flush mounted fixture composed of a circular wooden mounting piece and 3" glass globe. These two elements are set apart by a short length of metal tubing.

Dimensions: 5"Ø x 5.75"H

As Shown: Brass, Hardwood, Glass

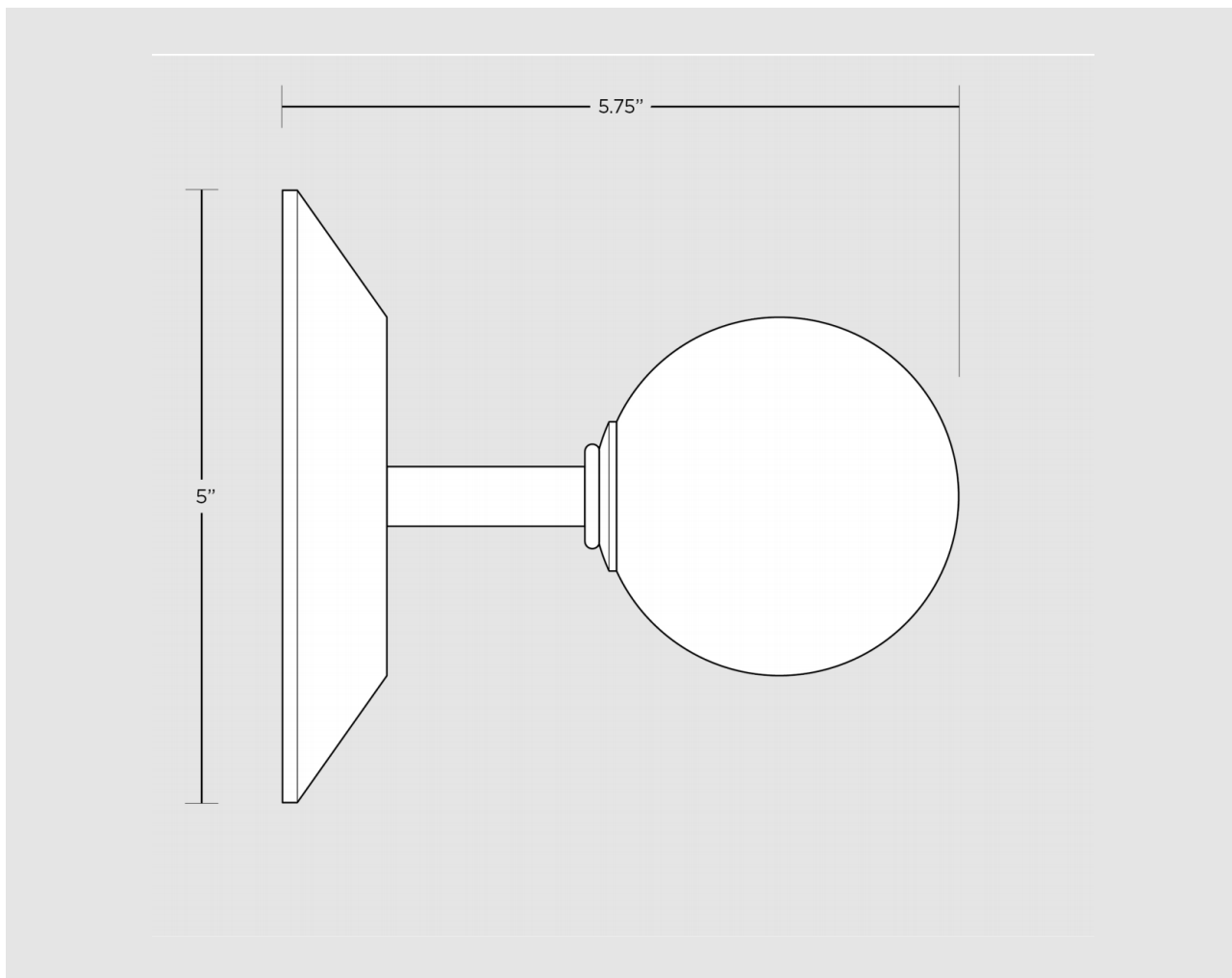
Available in any Allied Maker finish

Certifications: UL and CE Certified

Suitable for damp locations

Lead Time: Please Inquire

CO/ONY



ALLIED MAKER

Stud Sconce

Overall Fixture Size: 5"Ø x 5.75"H

Canopy Size: 5"Ø x 0.875"H

Glass Globe Size: 3"Ø

Tube Diameter: 0.5"Ø

Lamping: 1 x 3.5W G9 LED

40W Equivalent

2700K / 80 CRI / 350 Lumen

G9 Bi-pin Base / Dimmable / 120 Volt