



ALLIED MAKER

Alabaster SO1

The Alabaster collection showcases the beauty and translucency of its material. The Alabaster SO1 flush mount fixture is composed of a glass orb suspended beneath an alabaster cylinder, allowing the light's glow to transfer from glass orb to stone.

Dimensions: 5.5"Ø x 6.25"H

As Shown: Alabaster, Brass, Glass

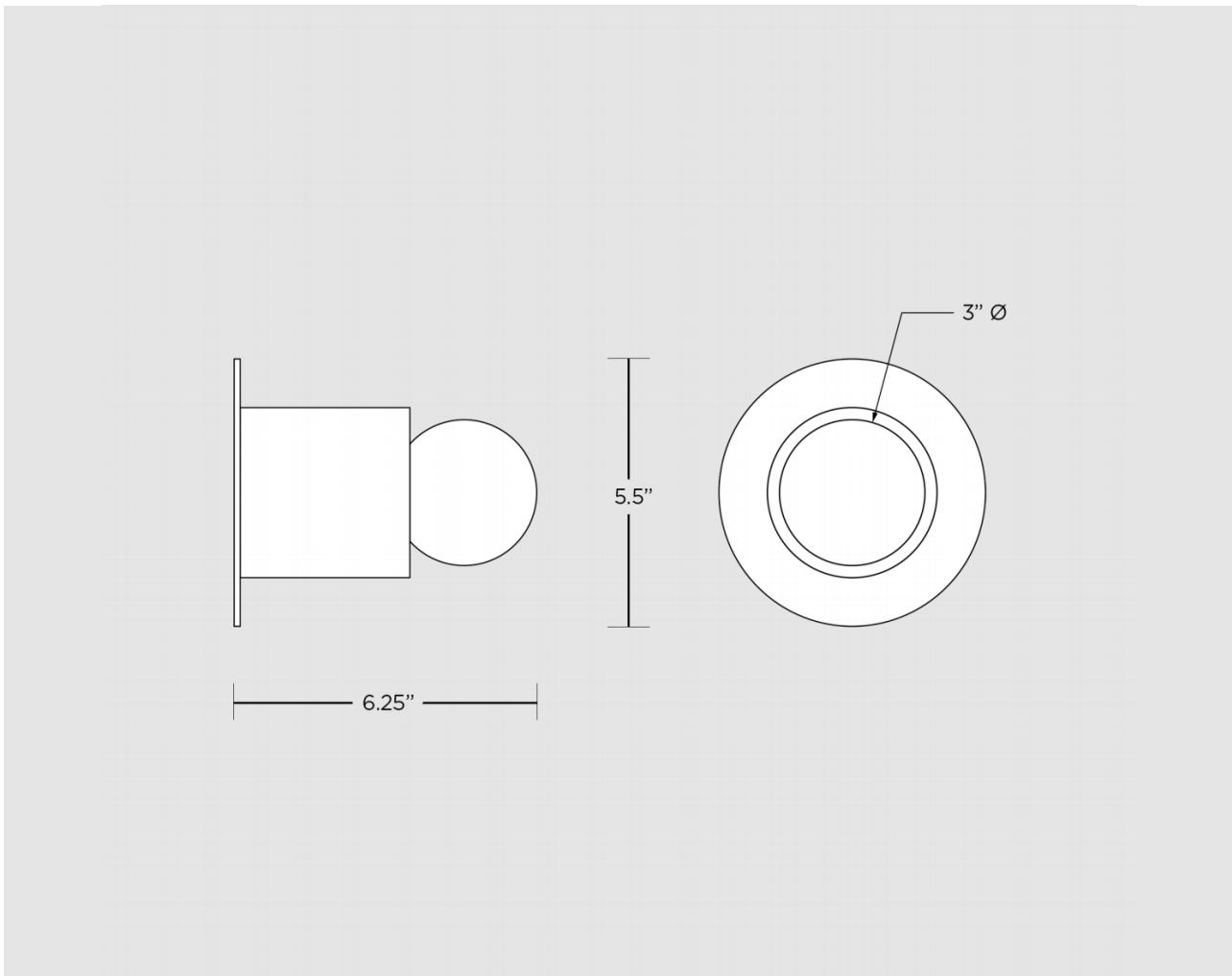
Available in any Allied Maker finish

Certifications: UL and CE Certified

Suitable for damp locations

Lead Time: Please Inquire

CO/ONY



ALLIED MAKER

Alabaster S01

Overall Fixture Size: 5.5"Ø x 6.25"H

Canopy Size: 5.5"Ø x 0.125"H

Globe Size: 3"Ø

Lamping: 1 x 3.5W G9 LED

40W Equivalent

9 Watts max. / LED only / 0.75"Ø max.

2700K / 80 CRI / 350 Lumen

G9 Bi-pin Base / Dimmable / 120 Volt