



Voyager 33 Sconce



Handcrafted in USA

This dual fitting sconce is a dramatic extension of our Voyager series. The wood body is mounted to a square brass mounting plate.

Fixture Dimensions

3.875" L x 5" W x 33" H

Finishes

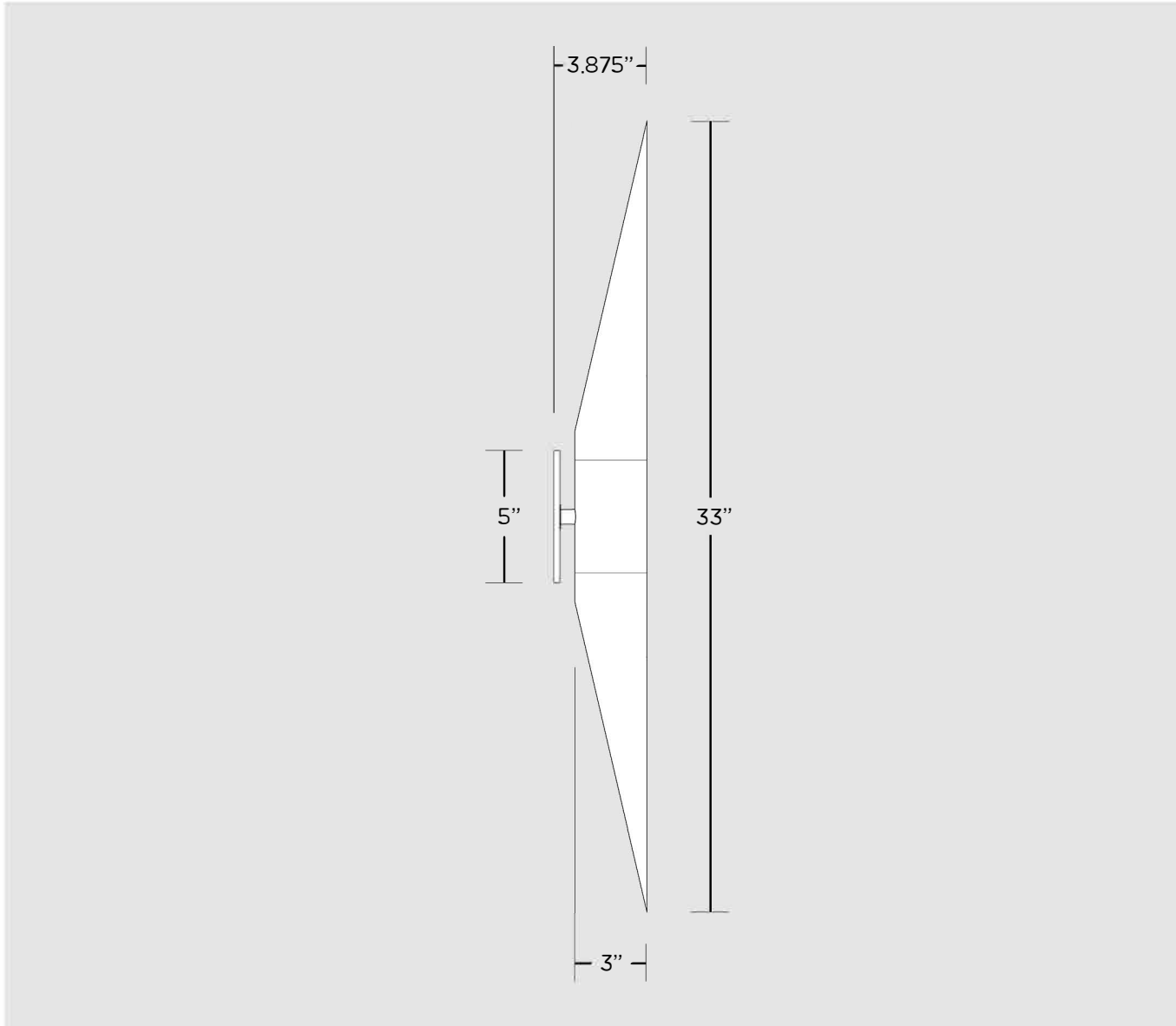
Available in any Allied Maker finish

Materials

Brass, Hardwood



Voyager 33 Sconce



Overall Pendant Size

3.875" L x 5" W x 33" H

Canopy Size

5" \varnothing x 0.875" H

Shade Size

3" \varnothing x 14.125" H

Tube Diameter

0.5" \varnothing

Lamping

Dimmable, LED Compatible

2x 9.5W Cree LED A19 - 2700K

Medium Base Screw-in

Bulb Included (US & CAN Only)

Suitable for damp locations

Wattage

MAX 20 Watt LED Only

Compatible Voltage

110V - 250V

Certifications

UL and CE Certified

Suitable for damp locations

Customization available upon request

