



Voyager 13 Table Lamp



Handcrafted in USA

Fixture Dimensions

13.375" L x 7" W x 23.875" H

Finishes

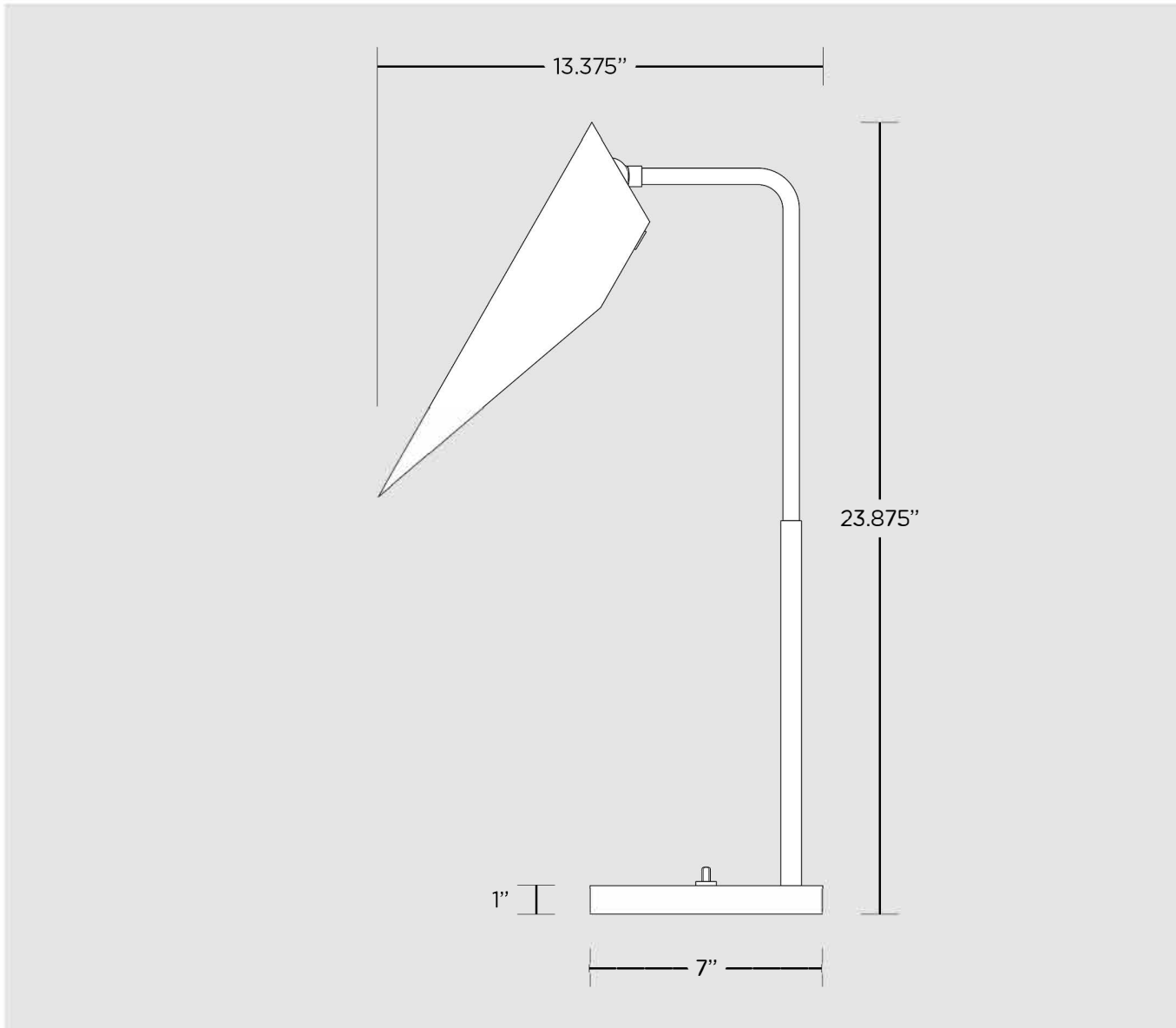
Available in any Allied Maker finish

Materials

Brass, Hardwood



Voyager 13 Table Lamp



Overall Pendant Size

13.375" L x 7" W x 23.875" H

Base Size

7" \varnothing x 1" H

Shade Size

3" \varnothing x 13" L

Tube Diameter

0.5" \varnothing , 0.625" \varnothing

Lamping

Dimmable, LED Compatible

9.5W Cree LED A19 - 2700K

Medium Base Screw-in

Bulb Included (US & CAN Only)

Suitable for damp locations

Wattage

MAX 20 Watt LED Only

Compatible Voltage

110V - 250V

Certifications

UL and CE Certified

Suitable for damp locations

Customization available upon request

