



Pigalle Sconce



Hand-spun brass dome shade. Bent brass tube supported through a machined wood bracket. Solid brass backplate to cover electrical box.

Overall Dimensions

14" L x 10" W x 20" H

Finishes

Available in any Allied Maker finish

Materials

Brass, Wood

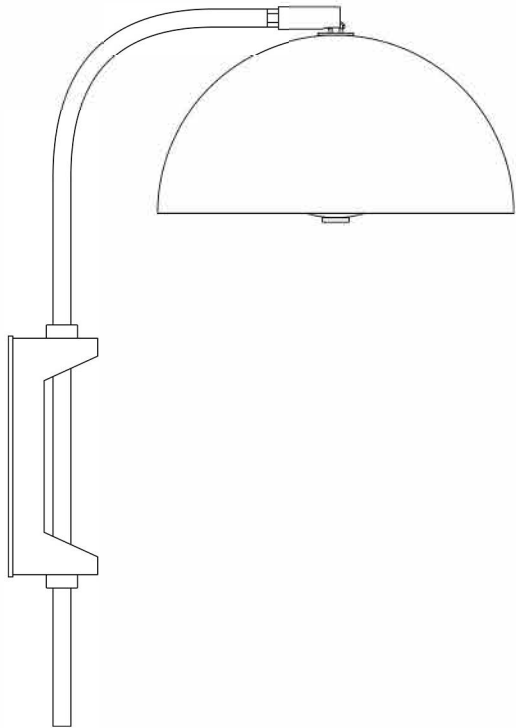
Handcrafted in USA



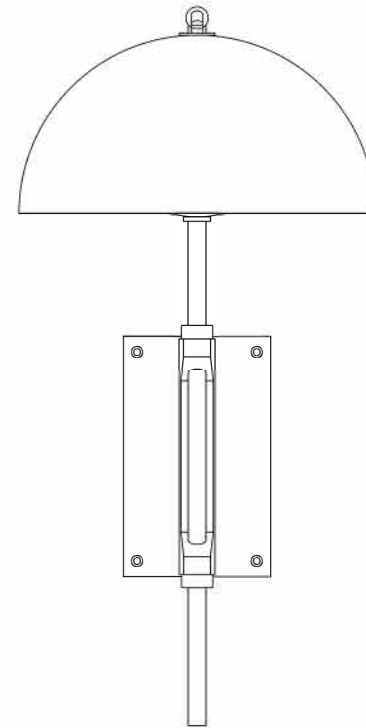


Pigalle Sconce

14"



10"



20"

Overall

14" L x 10" W x 20" H

Dome

10" Ø x 5" H

Pipe

1/2" Ø

Lamping

Dimmable, LED Compatible
60W Incandescent G19 - White
Medium Base Screw-in
Bulb Included (US & CAN Only)

Wattage

MAX 75 WATTS

Voltage

110V - 250V

Suitable for damp locations

Customizations available upon request

